

GREE

making better air conditioners

TECHNICAL SALES GUIDE-50Hz /60Hz



CONCEALED CEILING FAN COIL UNIT



The photos of products on the cover are for reference only, the actual appearance of certain product may be different.

CONTENTS

1. DESCRIPTION	3
2. COMPATIBILITY SHEET	3
3. NOMENCLATURE	4
4. FEATURES & BENEFITS.....	4
5. EXPLODED VIEW	5
6. INSTALLATION OUTLOOK	6
7. UNIT DIMENSIONS & WEIGHT	6
8. PACKAGE DIMENSIONS	8
9. GUIDE SPECIFICATION	8
10. SPECIFICATION	9
11. ELECTRICAL & CONTROLS	34
12. MEASURED SOUND PRESSURE LEVEL	36

1 DESCRIPTION

GREE FP series fan coil air conditioners are designed specially to meet the varied requirements of district cooling or heating using chilled water or hot water. Fan coils can be applied to two or four pipe systems to satisfy the requirements of a wide variety of air conditioning or heating application. GREE FCU (Fan coil unit) is available in concealed versions for ceiling mounted installation. They offer effective zone control and are especially suitable for use in apartments, hotels, shopping centers, office buildings and hospitals

GREE FCU with airflow capacity from 250 to 3400m³/h are available .The ceiling concealed unit is suitable for external static pressure up-to 60 Pa. the cooling or heating performance of a fan coil can vary greatly with changes in air-inlet temperature and humidity. It also varies with the amount of water being circulated in the coil. The water flow rate through each unit is determined by the specification of the system that governs the difference between the inlet and outlet water temperature. District cooling systems traditionally require a 9 Deg C difference between the inlet and outlet at maximum load conditions, to conserve the pumping power and increase the overall system efficiency. GREE FCU has a version that meets this requirement.

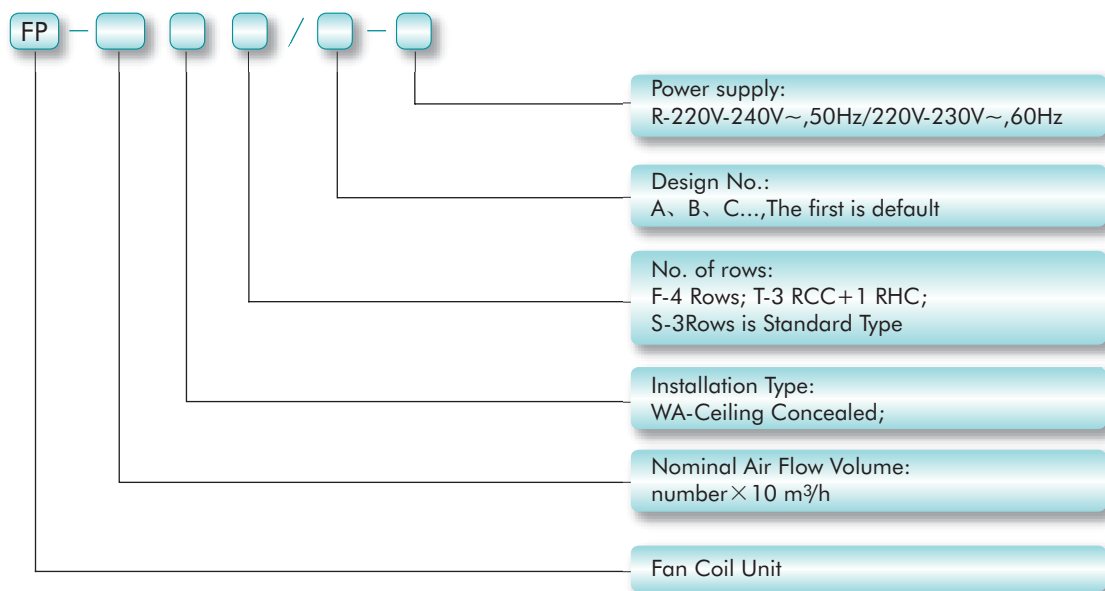
To facilitate choosing the correct size of a fan coil for various inlet air dry bulb and wet bulb temperatures, as well as various inlet water temperature and temperature rise or flow rates, a dedicated computer selection software is available. The manufacturing facility has a test-lab that allows verification of the thermal capacities given by the software under the specified conditions.

2 COMPATIBILITY SHEET

GENERAL	Coils	Standard Cooling Coil 4-Rows Cooling Coil Cooling + Heating Coil	◇ ■ ■
	Motor Protection	IP 20 - 50Hz IP 20 - 60Hz	◇ ■
OPTIONS	Drain Pan	Standard Drain Pan Curate Drain Pan	◇ ■
	Filters & Rails	6mm Synthetic Filter	□
SPECIAL REQUESTS	FIN PROTECTION	Blue Fin Copper Fin	■ ■
	Plenum Insulat	6mm Plenum Insulation	■
	Flange	Inlet Flange	■
	Heater & Terminal	Heater Extra Terminal Box	■
	Powder Coating	Powder Coating For Casing	■
	Drain Pan	Stainless Steel Drain Pan	■
		Extended Stainless Steel Drain Pan	■

Legend: ◇ Standard □ Option ■ Special Request

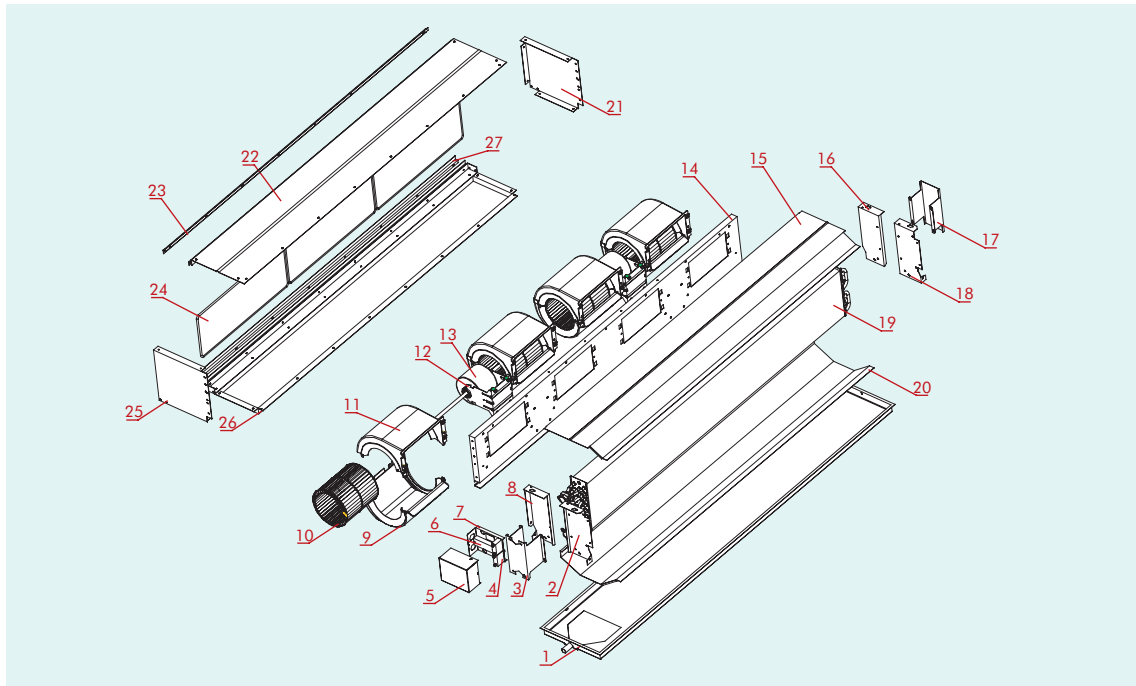
3 NOMENCLATURE



4 FEATURES & BENEFITS

Features		Benefits
Features	Descriptions For Features	
Low Noise Level	Units have 3 fan speeds and operate very silently. Sound Data of the units at all three is available	Whisper quiet comfort condition results in satisfied occupant
Large Range of Sizes	Airflow capacity from 250 to 3400 m ³ /h, 3 and 4 row coils to closely match load requirement and provide dehumidification.	Better control over comfort conditions results in satisfied occupants
Compact Size & Low Height	Height of Ceiling Units is restricted to 245mm (2040m ³ /h and below modles) for concealed unit	Higher Ceiling heights result in optimum comfort to occupants
Superior Air Distribution	Multi configurations allow designers to provide cooling in all areas with minimum ductwork.	Higher Ceiling heights result in optimum comfort to occupants
Easy Installation	Threaded Brass connector is provided for easy piping connection. Drain and Purge Valves are provided on all units to assist in commissioning.	Reduces installation and commissioning time and cost
Easy Maintenance	Filters on the Concealed Units can remove from any direction. Exposed Units have filters that slide out. Fan and Motor can be separate, thereby maintenance is convenient.	Filters can be cleaned frequently resulting in healthier comfort conditions Lowers maintenance cost
Safety	Motors are internally protected with UL recognized components CE marked unit available as an option	May qualify for lower insurance premium Valid for sale in EU Countries with this option

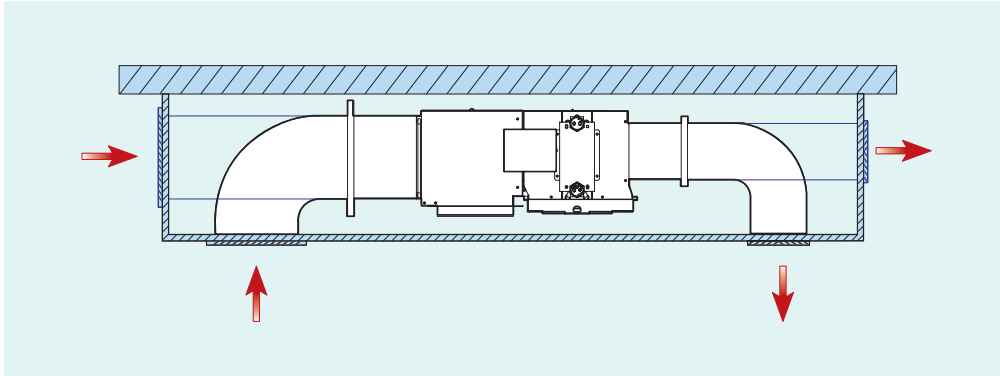
5 EXPLODED VIEW



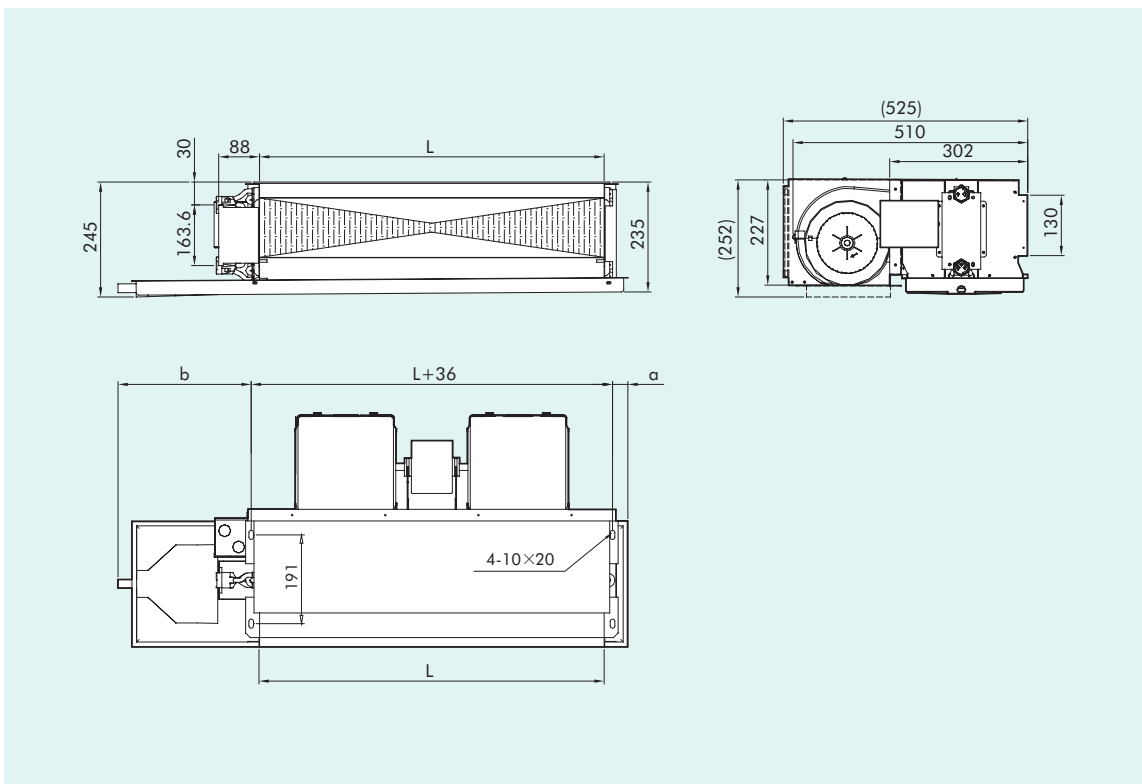
No.	Component	Available as	Material & Specification	Insulation Material
1	Drain Pan	◇	Powder Coating for 1.0mm Steel	8mmPE
2	Left terminal plate 2	◇	1.2mm Galvanized Steel	
3	Manifold Support	◇	1.2mm Galvanized Steel	
4	Capacitance	◇		
5	Motor Terminal Cover	◇	1.0mm Galvanized Steel	
6	Motor Terminals	◇		
7	Support Plate for Terminals	◇	1.0mm Galvanized Steel	
8	Left terminal plate 1	◇	1.2mm Galvanized Steel	
9	Front propeller housing	◇	ABS	
10	Centrifugal fan	◇	ABS	
11	Rear propeller housing	◇	ABS	
12	Motor Support Plate	◇	2.0mm Galvanized Steel	
13	Motor	◇		
14	Fan Deck	◇	1.2mm Galvanized Steel	
15	Top Panel	◇	0.8mm Galvanized Steel	8mmXPE
16	Right terminal plate 1	◇	1.2mm Galvanized Steel	
17	Cooling coil protecting plate	◇	0.8mm Galvanized Steel	
18	Right terminal plate 2	◇	1.2mm Galvanized Steel	
19	Cooling Coil	◇	9.52×0.30×0.17	
20	Bottom Panel	◇	0.8mm Galvanized Steel	5mmXPE
21	Side Panel of Plenum(Left)	□	1.2mm Galvanized Steel	
22	Top Panel of plenum	□	1.2mm Galvanized Steel	
23	Top Flange of Plenum	□	1.0mm Galvanized Steel	
24	Filter	□		
25	Side Panel of Plenum(Right)	□	1.2mm Galvanized Steel	
26	Bottom Panel of plenum	□	1.2mm Galvanized Steel	
27	Bottom Flange of Plenum	□	1.0mm Galvanized Steel	

Legend: ◇ Standard □ Option ■ Special Request

6 INSTALLATION OUTLOOK



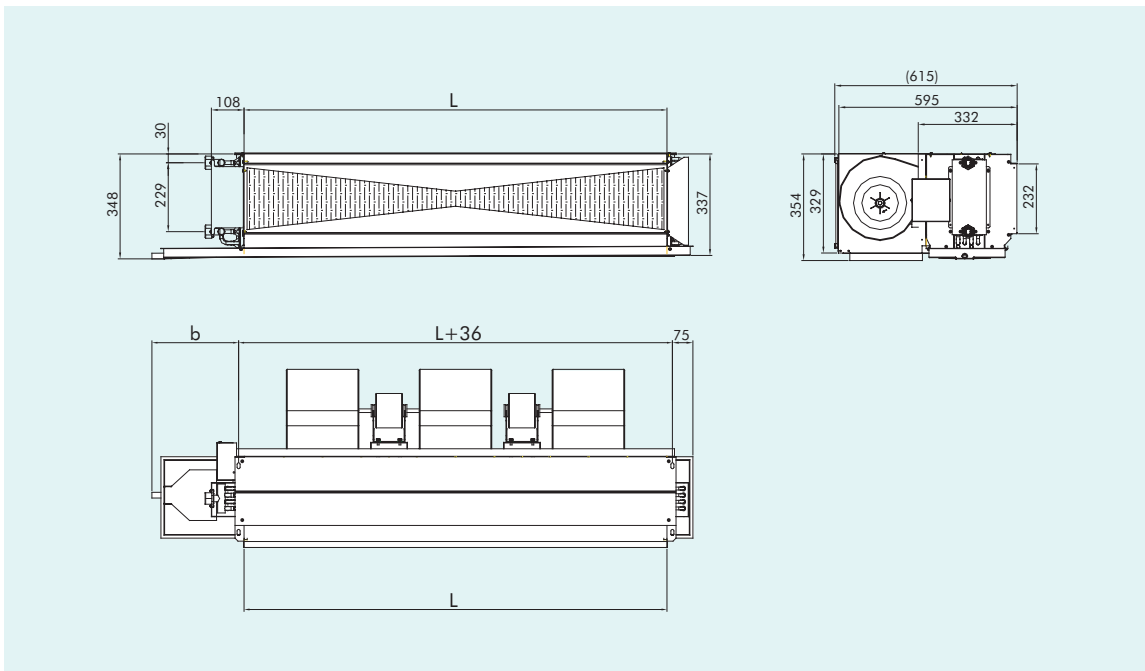
7 UNIT DIMENSIONS & WEIGHT



Concealed Ceiling Fan Coil Unit Technical Sales Guide

Model	L	a	b	b*(with Curate Drain Pan)	Width	Height	Weight	
							3Rows	4,3+1Rows
FP-34WA*	490	45	310	180	510(525)	245(252)	15	17.4
FP-51WA*	620						16	20.2
FP-68WA*	740						18	22.4
FP85WA*	820						19.5	24
FP-102WA*	980						21	27.4
FP-136WA*	1400	75	250	180	510(525)	245(252)	30	37.5
FP-170WA*	1500		310				33	40
FP-204WA*	1500		34				42.5	

- Note:**
1. Width & Height in () refers to plenum with Filter and Flange;
 2. Weights mentioned above are four Standard Units, Plenum with single Package.



Model	L	b	b*(with Curate Drain Pan)	Width	Height	Weight	
						3Rows	4,3+1Rows
FP-238WA*	1250	310	180	595 (615)	329(354)	48	52
FP-272WA*	1250					48	52
FP-306WA*	1500					52	59
FP-340WA*	1500					52	59

- Note:**
1. Width & Height in () refers to plenum with Filter and Flange;
 2. Weights mentioned above are for Standard Units, while the Plenum will be Package separately.

8 PACKAGE DIMENSIONS

Model		Length	Width	Height	Gross Weight	
					3Rows	4,3+1Rows
		mm	mm	mm	kg	kg
Standard	FP-34WA*	900	275	560	19	20.4
	FP-51WA*	1030			20.5	23.2
	FP-68WA*	1150			23	25.4
	FP-85WA*	1230			24.5	27
	FP-102WA*	1390			26	30.9
	FP-136WA*	1780			35	42.5
	FP-170WA*	1940			38.5	45.5
	FP-204WA*	1940			39.5	48
	FP-238WA*	1710	400	650	55	60
	FP-272WA*	1710			55	60
	FP-306WA*	1960			60	66
	FP-340WA*	1960			60	66
Curate Drain Pan	FP-34WA*	770	275	560	19	20.4
	FP-51WA*	900			20.5	23.2
	FP-68WA*	1020			23	25.4
	FP-85WA*	1100			24.5	27
	FP-102WA*	1260			26	30.9
	FP-136WA*	1700			35	42.5
	FP-170WA*	1800			38.5	45.5
	FP-204WA*	1800			39.5	48
	FP-238WA*	1580	400	650	55	60
	FP-272WA*	1580			55	60
	FP-306WA*	1830			60	66
	FP-340WA*	1830			60	66

9 GUIDE SPECIFICATION

General

Furnish and install Fan Coil Units as indicated and scheduled in the plans. Units shall be factory assembled with coils that are pressure tested individually to 310 psi (2.5MPa). The fans must be factory run and manufacturer must have a facility to test the capacity of cooling at specified entering air conditions and specified chilled water temperature, to assure correct capacity. In addition the test facility shall be test air capacity at specified external pressure drop at indicated speed setting.

➔ Basic Unit

The basic unit shall be fabricated out of 1mm galvanized steel or above. The fan motor shall be easily removable for serviceability. A terminal box with terminal strip shall be provided for terminating the wiring. On ceiling concealed units with plenum, the filter shall be easily removable from either side or the back.

➔ Coils

Coils shall be made out of 3/8 inch or 9.52mm OD copper tubes. Aluminium fins shall be 0.115mm thick and the coil shall have maximum spacing of 2.3mm between the fins. The coil shall be pressure tested to 2.5MPa (For a working pressure of 1600 kPa) and dehydrated before assembly. A manual air vent shall be provided on top of the coil. The coil assembly shall be protected on the side on which piping is to be fitted with a cover made of G1 sheet. The metal sheet below the coil shall be powder coated to avoid corrosion. Black Epoxy coated fins shall be available as an option.

➔ Motors

Motors shall be 3 speeds, permanent split capacitor type with Thermal overload protection. Motors shall have permanently lubricated ball bearings. The motors shall have a class B insulation. Standard motor shall be IP20 is totally available on request. Total enclosed motors shall be available on request (option). Motors shall be protected by an internal overload that is UL Certified component.

➔ Fans

Fans shall be centrifugal direct-drive, forward curved type. Fan wheel shall be statically and dynamically balanced.

➔ Terminal Box

All units shall be provided with factory installed terminal box with the fan motor wired to the box.

➔ Drain Pan

Drain Pan shall be die-formed steel, sloped to the piping connection, which will be threaded for easy connection. Internal surface shall be painted with anti-corrosive paint. The drain pan shall be insulated below the closed cell formed insulation (that complies with B5476 part 6 to class 1 requirements).

➔ Test

Manufacturer shall have a test facility to verify the air flow rate at specified external static pressure on all three speeds.

It shall also be possible to verify the cooling capacity with water flow rates and temperature shown in the product guide. Verification of airflow and capacities shall be option available at a declared cost.

The manufacturing process should have a certified ISO 9000 quality plan.

10 SPECIFICATION

➔ 10.1 Specification-Standard

Note:

The performances are based on the following conditions:

Cooling Capacity: For 3 Row Coils Entering Air Conditions DB:27°C (80.6°F) WB : 19 °C (66.2°F)

Entering Chilled Water Conditions : 7°C (44.6°F) Leaving Chilled Water Conditions : 12°C (53.6°F)

Air Flow: Fan Speed = High 220V/1Ph./50-60Hz

Under Dry Coil Conditions at 30 Pa External Static Pressure

MODEL		FP-34	FP-51	FP-68	FP-85	FP-102	FP-136
PERFORMANCE							
Nominal Air Flow	cu.m/h	340	510	680	850	1020	1360
	CFM	200	300	400	500	600	800
Nominal Total Capacity	kW	2.19	3.37	4.28	5.04	6.46	8.17
	Btu/h	6812	11507	14587	17180	22042	27877
Water Flow Rate	l/s	0.104	0.161	0.204	0.241	0.309	0.390
	G.P.M.(US)	1.654	2.553	3.237	3.812	4.891	6.186
Water Pressure Drop	kPa	10	15	25	30	40	20
	ft.wg.	3.28	4.92	8.2	9.84	13.12	6.56
COIL							
Face Area	sq.m	0.100	0.126	0.150	0.167	0.199	0.284
Face Velocity	m/s	0.95	1.12	1.26	1.42	1.42	1.33
Motor							
Type	3-Speed Permanent Split Capacitor Motor						
No. of motor	#	1	1	1	1	1	2
Total Rating Output	watt	44	59	72	87	108	156
Amp.	A	0.20	0.27	0.33	0.40	0.49	0.71
FAN							
Type	Centrifugal Fan (Forward Curve)						
No. of Fans	#	1	2	2	2	2	3
WATER CONTENT							
3 Rows	Liters	1.06	1.29	1.50	1.64	1.92	2.66
4 Rows	Liters	1.35	1.65	1.94	2.12	2.50	3.48
3+1 Rows	Liters	1.55	1.85	2.14	2.32	2.70	3.68
PLENUM							
Model		HF21	HF22	HF23	HF24	HF25	HF26

MODEL		FP-170	FP-204	FP-238	FP-272	FP-306	FP-340
PERFORMANCE							
Nominal Air Flow	Cu.m/h	1700	2040	2380	2720	3060	3400
	CFM	1000	1200	1400	1600	1800	2000
Nominal Total Capacity	kW	10.74	12.16	12.4	13.5	16	17
	Btu/h	36629	41492	42296	46049	54576	57987
Water Flow Rate	l/s	0.513	0.581	0.567	0.636	0.742	0.794
	G.P.M.(US)	8.128	9.207	2.493	2.799	3.263	3.496
Water Pressure Drop	kPa	38	45	21.9	27.1	37.5	41.2
	ft.wg.	12.464	14.76	7.18	8.89	12.30	13.51
COIL							
Face Area	sq.m	0.305	0.305	0.381	0.381	0.457	0.457
Face Velocity	m/s	1.55	1.86	1.74	1.98	1.86	2.07
Motor							
Type	3-Speed Permanent Split Capacitor Motor						
No. of motor	#	2	2	2	2	2	2
Total Rating Output	watt	174	212	380	475	535	640
Amp.	A	0.79	0.96	1.73	2.16	2.43	2.91
FAN							
Type	Centrifugal Fan (Forward Curve)						
No. of Fans	#	4	4	3	3	3	3
WATER CONTENT							
3 Rows	Liters	2.84	2.84	3.50	3.50	4.16	4.16
4 Rows	Liters	3.72	3.72	4.60	4.60	5.48	5.48
3+1 Rows	Liters	3.92	3.92	4.80	4.80	5.68	5.68
PLENUM							
Model		HF27	HF27	HF28	HF28	HF29	HF29



10.2 Specification-District Cooling

Note:

The performances are based on the following conditions:

Cooling Capacity: For 3 Row Coils Entering Air Conditions DB:27 °C (80.6°F) WB: 19 °C (66.2°F)
 Entering Chilled Water Conditions :5.5 °C (41.9°F) Leaving Chilled Water Conditions 14.5 °C (58.1°F)
 Air Flow: FanSpeed = High 220V/1Ph./50-60Hz Under Dry Coil Conditions at 30 Pa External Static Pressure

MODEL		FP-34	FP-51	FP-68	FP-85	FP-102	FP-136
PERFORMANCE							
Nominal Air Flow	Cu.m/h	340	510	680	850	1020	1360
	CFM	200	300	400	500	600	800
Nominal Total Capacity	kW	2.19	3.37	4.28	5.04	6.46	8.17
	Btu/h	7456	11507	14587	17180	22042	27877
Water Flow Rate	l/s	0.058	0.089	0.114	0.134	0.171	0.217
	G.P.M.(US)	0.921	1.417	1.800	2.120	2.717	3.436
Water Pressure Drop	kPa	22.6	33.9	31.3	37.6	50.0	49.4
	ft.wg.	7.4	11.1	10.3	12.3	16.4	16.2
COIL							
Face Area	sq.m	0.100	0.126	0.150	0.167	0.199	0.284
Face Velocity	m/s	0.95	1.12	1.26	1.42	1.42	1.33
Motor							
Type	3-Speed Permanent Split Capacitor Motor						
No. of motor	#	1	1	1	1	1	2
Total Rating Output	watt	44	59	72	87	108	156
Amp.	A	0.20	0.27	0.33	0.40	0.49	0.71
FAN							
Type	Centrifugal Fan (Forward Curve)						
No. of Fans	#	1	2	2	2	2	3
WATER CONTENT							
3 Rows	Liters	1.06	1.29	1.50	1.64	1.92	2.66
4 Rows	Liters	1.35	1.65	1.94	2.12	2.50	3.48
3+1 Rows	Liters	1.55	1.85	2.14	2.32	2.70	3.68
PLENUM							
Model		HF21	HF22	HF23	HF24	HF25	HF26
MODEL		FP-170	FP-204	FP-238	FP-272	FP-306	FP-340
PERFORMANCE							
Nominal Air Flow	Cu.m/h	1700	2040	2380	2720	3060	3400
	CFM	1000	1200	1400	1600	1800	2000
Nominal Total Capacity	kW	10.74	12.16	12.4	13.5	15.32	16.35
	Btu/h	36629	41492	42296	46049	52257	55770
Water Flow Rate	l/s	0.285	0.323	0.380	0.439	0.501	0.553
	G.P.M.(US)	1.254	1.420	1.673	1.930	2.202	2.435
Water Pressure Drop	kPa	39.6	46.9	20.4	28.6	37.1	43.2
	ft.wg.	12.99	15.38	6.69	9.38	12.17	14.17
COIL							
Face Area	sq.m	0.305	0.305	0.381	0.381	0.457	0.457
Face Velocity	m/s	1.55	1.86	1.74	1.98	1.86	2.07
Motor							
Type	3-Speed Permanent Split Capacitor Motor						
No. of motor	#	2	2	2	2	2	2
Total Rating Output	watt	174	212	380	475	535	640
Amp.	A	0.79	0.96	1.73	2.16	2.43	2.91
FAN							
Type	Centrifugal Fan (Forward Curve)						
No. of Fans	#	4	4	3	3	3	3
WATER CONTENT							
3 Rows	Liters	2.84	2.84	3.50	3.50	4.16	4.16
4 Rows	Liters	3.72	3.72	4.60	4.60	5.48	5.48
3+1 Rows	Liters	3.92	3.92	4.80	4.80	5.68	5.68
PLENUM							
Model		HF27	HF27	HF28	HF28	HF29	HF29

10.3 Performance Rating

Air Condition: EDB/EWB 27/19°C (80.6/66.2°F) Water Conditions: EWT/LWT 7/12°C (44.6/53.6°F) delta T 5°C (41°F)

Note:

EDB/EWB: Entering Air Dry-bulb Temperature / Entering Air Wet-bulb Temperature.

EWT/LWT: Entering Water Temperature / Leaving Water Temperature.

Standard || 3Rows || 2Pipe

Model	Speed	ESP Pa	Air. Flow		Cooling Capacity				Air Off FCU		Water Flow		Water Pressure		Power Input watts
					Total		Sensible		DB	WB					
			m ³ /h	CFM	kW	Btu/h	kW	Btu/h	°C	°C	l/s	G.P.M	kPa	ft.wg	
FP-34	High	0	380	224	2.33	7936	1.7	5790	13.68	12.6	0.111	0.489	11.3	3.7	46
		30	340	200	2.00	6812	1.58	5381	13.2	12.23	0.104	0.460	10	3.3	44
		60	260	153	1.76	5995	1.25	4258	12.71	11.84	0.084	0.369	6.5	2.1	40
	Medium	0	300	176	1.97	6710	1.41	4802	13	12.09	0.094	0.414	8.1	2.7	36
		30	265	156	1.79	6097	1.27	4326	12.71	11.84	0.086	0.376	6.7	2.2	34
		60	195	115	1.38	4700	0.97	3304	12.21	11.44	0.066	0.291	4	1.3	31
	Low	0	200	118	1.42	4837	1.00	3406	12.21	11.44	0.068	0.298	4.2	1.4	31
		30	180	106	1.3	4428	0.91	3099	12	11.26	0.062	0.274	3.6	1.2	28
		60	130	76	0.99	3372	0.68	2316	11.4	10.81	0.047	0.208	0.7	2	26
FP-51	High	0	570	335	3.65	12432	2.61	8890	13.4	12.27	0.174	0.768	17.6	5.8	63
		30	510	300	3.37	11478	2.41	8208	12.98	12.03	0.161	0.709	15	4.9	59
		60	420	247	2.91	9911	2.05	6982	12.49	11.63	0.139	0.612	11.2	3.7	55
	Medium	0	460	271	3.1	10559	2.2	7493	12.79	11.88	0.148	0.651	12.7	4.2	54
		30	420	247	2.91	9911	2.05	6982	12.49	11.63	0.139	0.612	11.2	3.7	52
		60	330	194	2.4	8174	1.67	5688	11.98	11.21	0.115	0.505	7.6	2.5	49
	Low	0	375	221	2.67	9094	1.87	6369	12.22	11.42	0.128	0.561	9.4	3.1	49
		30	350	206	2.53	8617	1.76	5995	12.07	11.29	0.121	0.532	8.4	2.8	46
		60	270	159	2.05	6982	1.41	4802	11.52	10.84	0.098	0.430	5.5	1.8	42
FP-68	High	0	750	441	4.53	15429	3.33	11342	13.82	12.7	0.216	0.952	28.1	9.2	76
		30	680	400	4.28	14578	3.11	10593	13.42	12.4	0.204	0.898	25	8.2	72
		60	575	338	3.8	12943	2.72	9264	12.93	12.03	0.181	0.798	19.8	6.5	66
	Medium	0	590	347	3.88	13215	2.78	9469	13.02	12.07	0.185	0.815	20.6	6.8	59
		30	544	320	3.63	12364	2.59	8822	12.83	11.96	0.173	0.763	18	5.9	57
		60	454	267	3.18	10831	2.25	7664	12.31	11.55	0.152	0.669	13.8	4.5	53
	Low	0	500	294	3.46	11785	2.44	8311	12.48	11.64	0.165	0.727	16.4	5.4	51
		30	467	275	3.27	11138	2.3	7834	12.34	11.56	0.156	0.687	14.6	4.8	48
		60	379	223	2.77	9435	1.93	6574	11.82	11.16	0.133	0.583	10.5	3.4	43
FP-85	High	0	920	541	5.34	18188	3.98	13556	14.16	12.97	0.255	1.123	33.8	11.1	94
		30	850	500	5.04	17166	3.75	12773	13.9	12.83	0.241	1.058	30	9.8	87
		60	730	429	4.5	15327	3.32	11308	13.5	12.55	0.215	0.946	24	7.9	79
	Medium	0	730	429	4.5	15327	3.32	11308	13.5	12.55	0.215	0.946	23.9	7.8	72
		30	680	400	4.23	14407	3.12	10627	13.37	12.48	0.202	0.890	21.2	7.0	64
		60	580	341	3.79	12909	2.75	9367	12.89	12.11	0.181	0.797	17	5.6	58
	Low	0	625	368	4.05	13794	2.93	9980	13.1	12.19	0.193	0.851	19.4	6.4	61
		30	583	343	3.81	12977	2.77	9435	12.89	12.11	0.182	0.802	17.2	5.6	55
		60	475	279	3.26	11104	2.33	7936	12.4	11.72	0.156	0.684	12.6	4.1	49
FP-102	High	0	1105	650	6.62	22548	4.88	16621	13.9	12.77	0.316	1.391	42	13.8	120
		30	1020	600	6.46	22003	4.69	15974	13.35	12.36	0.309	1.358	40	13.1	108
		60	885	521	5.88	20027	4.23	14407	12.81	11.98	0.281	1.237	33.2	10.9	99
	Medium	0	876	515	5.83	19857	4.19	14271	12.81	11.98	0.278	1.225	32.6	10.7	105
		30	816	480	5.58	19005	3.98	13556	12.52	11.75	0.267	1.173	29.9	9.8	95
		60	704	414	5.05	17200	3.55	12091	12.02	11.33	0.241	1.062	24.5	8.0	89
	Low	0	754	444	5.36	18256	3.75	12773	12.21	11.42	0.256	1.127	27.5	9.0	85
		30	700	412	5.03	17132	3.53	12023	12.02	11.33	0.240	1.057	24.2	7.9	79
		60	578	340	4.36	14850	3.02	10286	11.49	10.89	0.208	0.917	18.2	6.0	71
FP-136	High	0	1477	869	8.69	29598	6.46	22003	14.01	12.88	0.415	1.827	22.7	7.4	170
		30	1360	800	8.17	27827	6.05	20606	13.79	12.74	0.390	1.717	20	6.6	156
		60	1190	700	7.5	25545	5.5	18733	13.26	12.39	0.358	1.577	16.9	5.5	144
	Medium	0	1172	689	7.4	25204	5.42	18461	13.26	12.39	0.353	1.555	16.4	5.4	151
		30	1088	640	7.19	24489	5.19	17677	12.84	12.03	0.343	1.511	15.5	5.1	140
		60	945	556	6.55	22309	4.68	15940	12.3	11.63	0.313	1.377	12.9	4.2	132
	Low	0	1007	592	6.78	23093	4.86	16553	12.64	11.87	0.324	1.426	13.8	4.5	133
		30	933	549	6.49	22105	4.62	15736	12.28	11.61	0.310	1.364	12.6	4.1	125
		60	785	462	5.73	19516	4.02	13692	11.79	11.19	0.274	1.205	9.8	3.2	118

Concealed Ceiling Fan Coil Unit Technical Sales Guide

Air Condition: EDB/EWB 27/19°C (80.6/66.2°F) Water Conditions: EWT/LWT 7/12°C (44.6/53.6°F) delta T 5°C (41°F)
 Note: Standard || 3Rows || 2Pipe

EDB/EWB: Entering Air Dry-bulb Temperature / Entering Air Wet-bulb Temperature.
 EWT/LWT: Entering Water Temperature / Leaving Water Temperature.

Model	Speed	ESP Pa	Air. Flow		Cooling Capacity				Air Off FCU		Water Flow		Water Pressure		Power Input watts
					Total		Sensible		DB	WB					
			m ³ /h	CFM	kW	Btu/h	kW	Btu/h	°C	°C	l/s	G.P.M	kPa	ft.wg	
FP-170	High	0	1880	1106	11.40	38828	8.36	28474	13.79	12.67	0.545	2.397	42.9	14.1	190
		30	1700	1000	10.74	36580	7.79	26533	13.38	12.38	0.513	2.256	38.0	12.5	174
		60	1495	879	9.92	33788	7.13	24285	12.84	12.00	0.474	2.084	32.4	10.6	158
	Medium	0	1493	878	9.90	33719	7.12	24251	12.84	12.00	0.473	2.081	32.3	10.6	160
		30	1360	800	9.29	31642	6.61	22514	12.55	11.76	0.444	1.953	28.5	9.3	150
		60	1190	700	8.54	29087	5.99	20402	12.05	11.35	0.408	1.794	24.0	7.9	138
	Low	0	1285	756	9.22	31403	6.43	21901	12.13	11.35	0.440	1.937	28.0	9.2	142
		30	1167	686	8.54	29087	5.95	20266	11.86	11.17	0.408	1.794	24.0	7.9	132
		60	995	585	7.64	26022	5.26	17916	11.30	10.72	0.365	1.607	19.3	6.3	121
FP-204	High	0	2252	1325	12.89	43903	9.70	33038	14.21	13.07	0.616	2.708	50.5	16.6	240
		30	2040	1200	12.16	41417	9.06	30858	13.81	12.79	0.581	2.556	45.0	14.8	212
		60	1810	1065	11.33	38590	8.36	28474	13.28	12.44	0.541	2.381	39.1	12.8	197
	Medium	0	1804	1061	11.29	38454	8.33	28372	13.28	12.44	0.539	2.372	38.8	12.7	201
		30	1632	960	10.57	36001	7.73	26328	12.94	12.18	0.505	2.222	34.0	11.1	180
		60	1440	847	9.79	33345	7.05	24012	12.45	11.79	0.468	2.058	29.2	9.6	169
	Low	0	1543	908	10.29	35048	7.45	25375	12.66	11.95	0.492	2.163	32.2	10.6	168
		30	1400	824	9.61	32732	6.90	23501	12.36	11.72	0.459	2.020	28.1	9.2	155
		60	1220	718	8.80	29973	6.22	21185	11.87	11.30	0.420	1.849	23.6	7.7	147
FP-238	High	0	2615	1538	12.00	40883	7.41	25222	14.29	13.18	0.573	2.523	20.6	6.8	418
		30	2380	1400	10.91	37166	6.73	22929	13.75	12.78	0.521	2.294	18.7	6.1	380
		60	2120	1247	9.82	33450	6.06	20636	13.04	12.27	0.469	2.064	15.9	5.2	342
	Medium	0	2086	1227	9.56	32550	5.84	19902	12.99	12.26	0.460	2.023	15.3	5.0	368
		30	1904	1120	8.60	29295	5.26	17912	12.58	11.93	0.446	1.961	12.2	4.0	334
		60	1700	1000	7.74	26366	4.73	16121	11.91	11.39	0.422	1.858	10.4	3.4	301
	Low	0	1787	1051	8.30	28264	4.96	16905	12.19	11.61	0.404	1.775	10.7	3.5	314
		30	1633	961	7.47	25438	4.47	15214	11.79	11.27	0.380	1.672	10.3	3.4	285
		60	1430	841	6.72	22894	4.02	13693	11.10	10.68	0.352	1.548	8.2	2.7	257
FP-272	High	0	2994	1761	13.07	44510	7.65	26046	14.22	13.10	0.644	2.832	25.5	8.4	523
		30	2720	1600	11.88	40463	6.95	23679	13.68	12.70	0.585	2.575	23.2	7.6	475
		60	2430	1429	10.69	36417	6.26	21311	12.96	12.18	0.527	2.317	19.7	6.5	428
	Medium	0	2391	1406	10.45	35578	6.17	21011	12.91	12.17	0.516	2.271	18.9	6.2	460
		30	2176	1280	9.40	32020	5.55	18910	12.50	11.84	0.500	2.202	15.1	5.0	418
		60	1945	1144	8.46	28818	5.00	17019	11.81	11.29	0.474	2.086	12.8	4.2	376
	Low	0	2047	1204	9.22	31411	5.12	17444	12.11	11.51	0.453	1.993	13.5	4.4	392
		30	1867	1098	8.30	28270	4.61	15700	11.69	11.17	0.427	1.877	10.8	3.5	356
		60	1645	968	7.47	25443	4.15	14130	11.01	10.57	0.395	1.738	8.3	2.7	321
FP-306	High	0	3371	1983	15.49	52752	9.22	31388	14.05	12.96	0.751	3.302	35.3	11.6	589
		30	3060	1800	14.08	47956	8.38	28534	13.51	12.56	0.682	3.002	32.1	10.5	535
		60	2740	1612	12.67	43161	7.54	25681	12.78	12.02	0.614	2.702	28.9	9.5	482
	Medium	0	2695	1585	12.30	41902	7.41	25237	12.73	12.01	0.602	2.648	28.1	9.2	518
		30	2448	1440	11.07	37712	6.67	22713	12.32	11.68	0.583	2.567	25.8	8.5	471
		60	2190	1288	9.96	33941	6.00	20442	11.63	11.12	0.553	2.432	24.8	8.1	424
	Low	0	2306	1356	10.17	34649	6.19	21071	11.93	11.35	0.528	2.324	25.4	8.3	441
		30	2100	1235	9.16	31184	5.57	18964	11.51	11.01	0.497	2.189	23.6	7.7	401
		60	1860	1094	8.24	28065	5.01	17067	10.81	10.40	0.461	2.027	21.1	6.9	361
FP-340	High	0	3748	2205	16.46	56049	10.47	35674	14.23	13.04	0.804	3.538	38.8	12.7	704
		30	3400	2000	14.96	50954	9.52	32431	13.69	12.61	0.731	3.216	35.3	11.6	640
		60	3050	1794	13.46	45858	8.57	29188	12.97	12.10	0.658	2.894	31.7	10.4	576
	Medium	0	2994	1761	13.16	44839	8.47	28846	12.93	12.08	0.645	2.836	30.9	10.1	620
		30	2720	1600	11.85	40355	7.62	25961	12.51	11.76	0.625	2.750	27.8	9.1	563
		60	2435	1432	10.66	36320	6.86	23365	11.84	11.20	0.592	2.605	25.6	8.4	507
	Low	0	2564	1508	11.06	37676	7.23	24638	12.13	11.42	0.566	2.489	26.6	8.7	528
		30	2333	1372	9.96	33908	6.51	22174	11.65	11.08	0.533	2.344	24.8	8.1	480
		60	2075	1221	8.96	30517	5.86	19956	10.95	10.48	0.493	2.171	21.9	7.2	432

Air Condition: EDB/EWB 27/19°C (80.6/66.2°F) Water Conditions: EWT/LWT 7/12°C (44.6/53.6°F) delta T 5°C (41°F)

Note:

Standard || 4Rows || 2Pipe

EDB/EWB: Entering Air Dry-bulb Temperature / Entering Air Wet-bulb Temperature.

EWT/LWT: Entering Water Temperature / Leaving Water Temperature.

Model	Speed	ESP Pa	Air. Flow		Cooling Capacity				Air Off FCU		Water Flow		Water Pressure		Power Input watts
					Total		Sensible		DB	WB					
			m ³ /h	CFM	kW	Btu/h	kW	Btu/h	°C	°C	l/s	G.P.M	kPa	ft.wg	
FP-34	High	0	353	208	2.64	8992	1.83	6233	11.58	10.7	0.126	0.554	8.2	2.7	46
		30	320	188	2.11	7187	1.7	5790	11.02	10.25	0.111	0.489	7.2	2.4	44
		60	242	142	1.99	6778	1.35	4598	10.46	9.79	0.095	0.419	4.7	1.5	40
	Medium	0	279	164	2.23	7595	1.52	5177	10.79	10.08	0.107	0.469	5.9	1.9	36
		30	246	145	2.03	6914	1.37	4666	10.46	9.79	0.097	0.427	4.9	1.6	34
		60	181	106	1.57	5347	1.04	3542	9.88	9.31	0.075	0.329	2.9	1.0	31
	Low	0	186	109	1.61	5484	1.07	3644	9.88	9.31	0.077	0.339	3.1	1.0	31
		30	167	98	1.48	5041	0.98	3338	9.63	9.09	0.071	0.310	2.6	0.9	28
		60	121	71	1.12	3815	0.73	2486	8.94	8.55	0.053	0.235	0.5	1.5	26
FP-51	High	0	530	312	4.14	14101	2.81	9571	11.26	10.33	0.198	0.870	12.7	4.2	63
		30	490	288	3.69	12568	2.7	9196	10.77	10.02	0.186	0.819	9.2	3.0	59
		60	391	230	3.3	11240	2.21	7527	10.2	9.54	0.158	0.694	8.1	2.7	55
	Medium	0	428	252	3.51	11955	2.37	8072	10.54	9.84	0.168	0.738	9.2	3.0	54
		30	391	230	3.3	11240	2.21	7527	10.2	9.54	0.158	0.694	8.1	2.7	52
		60	307	181	2.72	9264	1.8	6131	9.61	9.04	0.130	0.572	5.5	1.8	49
	Low	0	349	205	3.02	10286	2.01	6846	9.89	9.29	0.144	0.636	6.8	2.2	49
		30	326	192	2.87	9775	1.89	6437	9.72	9.14	0.137	0.603	6.1	2.0	46
		60	251	148	2.32	7902	1.52	5177	9.08	8.6	0.111	0.488	4	1.3	42
FP-68	High	0	698	411	5.14	17507	3.58	12193	11.74	10.82	0.245	1.079	20.3	6.7	76
		30	650	382	4.66	15872	3.38	11512	11.27	10.46	0.241	1.058	16.7	5.5	80
		60	535	315	4.31	14680	2.93	9980	10.71	10.01	0.206	0.906	14.3	4.7	66
	Medium	0	549	323	4.39	14952	2.99	10184	10.81	10.06	0.210	0.924	14.9	4.9	59
		30	506	298	4.11	13999	2.79	9503	10.6	9.93	0.196	0.864	13	4.3	57
		60	422	248	3.6	12262	2.42	8243	9.99	9.43	0.172	0.758	10	3.3	53
	Low	0	465	274	3.92	13352	2.63	8958	10.19	9.55	0.188	0.825	11.9	3.9	51
		30	434	255	3.7	12602	2.48	8447	10.02	9.45	0.177	0.779	10.5	3.4	48
		60	352	207	3.14	10695	2.08	7084	9.43	8.97	0.150	0.661	7.6	2.5	43
FP-85	High	0	855	503	6.06	20640	4.28	14578	12.13	11.14	0.289	1.272	24.4	8.0	94
		30	820	482	5.85	19925	4.38	14918	11.83	10.96	0.277	1.219	23.3	7.6	87
		60	679	399	5.1	17371	3.57	12159	11.37	10.62	0.244	1.072	17.3	5.7	79
	Medium	0	679	399	5.1	17371	3.57	12159	11.37	10.62	0.244	1.072	17.3	5.7	72
		30	632	372	4.8	16349	3.36	11444	11.22	10.53	0.229	1.008	15.3	5.0	64
		60	539	317	4.3	14646	2.96	10082	10.67	10.09	0.205	0.903	12.3	4.0	58
	Low	0	581	342	4.59	15634	3.15	10729	10.91	10.2	0.219	0.964	14	4.6	61
		30	543	319	4.32	14714	2.98	10150	10.67	10.09	0.206	0.908	12.4	4.1	55
		60	442	260	3.69	12568	2.51	8549	10.1	9.62	0.176	0.776	9.1	3.0	49
FP-102	High	0	1028	605	25545	5.25	17882	11.83	10.9	0.358	1.575	30.3	9.9	120	
		30	970	571	7.33	24966	5.19	17677	11.2	10.41	0.350	1.539	35.46	11.6	108
		60	823	484	6.67	22718	4.55	15497	10.57	9.94	0.319	1.402	24	7.9	99
	Medium	0	815	479	6.6	22480	4.51	15361	10.57	9.94	0.316	1.388	23.5	7.7	105
		30	759	446	6.33	21560	4.28	14578	10.24	9.67	0.302	1.330	21.6	7.1	95
		60	654	385	5.73	19516	3.82	13011	9.65	9.17	0.274	1.204	17.7	5.8	89
	Low	0	701	412	6.08	20708	4.04	13760	9.88	9.29	0.290	1.277	19.9	6.5	85
		30	651	383	5.7	19414	3.8	12943	9.65	9.17	0.272	1.198	17.5	5.7	79
		60	538	316	4.94	16826	3.25	11070	9.05	8.64	0.236	1.039	13.2	4.3	71
FP-136	High	0	1373	808	9.85	33549	6.95	23672	11.96	11.03	0.471	2.070	16.4	5.4	170
		30	1290	759	8.68	29564	6.3	21458	11.7	10.86	0.428	1.881	15.9	5.2	156
		60	1106	651	8.5	28951	5.93	20198	11.09	10.42	0.406	1.787	12.2	4.0	144
	Medium	0	1090	641	8.38	28542	5.84	19891	11.09	10.42	0.400	1.761	11.8	3.9	151
		30	1012	595	8.15	27759	5.59	19040	10.6	10	0.389	1.712	11.2	3.7	140
		60	879	517	7.43	25307	5.03	17132	9.98	9.51	0.355	1.561	9.3	3.0	132
	Low	0	936	551	7.69	26192	5.24	17847	10.38	9.81	0.367	1.616	10	3.3	133
		30	868	511	7.35	25034	4.98	16962	9.96	9.49	0.351	1.545	9.1	3.0	125
		60	730	429	6.5	22139	4.33	14748	9.39	8.99	0.310	1.365	7.1	2.3	118

Concealed Ceiling Fan Coil Unit Technical Sales Guide

Air Condition: EDB/EWB 27/19°C (80.6/66.2°F) Water Conditions: EWT/LWT 7/12°C (44.6/53.6°F) delta T 5°C (41°F)

Note:

Standard ||4Rows ||2Pipe

EDB/EWB: Entering Air Dry-bulb Temperature / Entering Air Wet-bulb Temperature.

EWT/LWT: Entering Water Temperature / Leaving Water Temperature.

Model	Speed	ESP Pa	Air. Flow		Cooling Capacity				Air Off FCU		Water Flow		Water Pressure		Power Input watts
					Total		Sensible		DB	WB					
			m ³ /h	CFM	kW	Btu/h	kW	Btu/h	°C	°C	l/s	G.P.M	kPa	ft.wg	
FP-170	High	0	1748	1028	12.92	44006	9	30654	11.71	10.79	0.617	2.716	31.00	10.2	190
		30	1610	947	10.59	36070	7.72	26294	11.3	11.07	0.509	2.239	23.73	7.8	174
		60	1390	818	11.24	38283	7.67	26124	10.6	9.97	0.537	2.363	23.40	7.7	158
	Medium	0	1389	817	11.22	38215	7.66	26090	10.6	9.97	0.536	2.359	23.40	7.7	160
		30	1265	744	10.53	35865	7.12	24251	10.28	9.68	0.503	2.213	20.60	6.8	150
		60	1107	651	9.68	32970	6.45	21969	9.69	9.19	0.462	2.034	17.40	5.7	138
	Low	0	1195	703	10.45	35593	6.93	23604	9.79	9.21	0.499	2.195	20.20	6.6	142
		30	1085	638	9.68	32970	6.4	21798	9.47	8.98	0.462	2.034	17.40	5.7	132
		60	925	544	8.66	29496	5.66	19278	8.83	8.44	0.414	1.821	13.90	4.6	121
FP-204	High	0	2094	1232	12.61	42950	9.32	31744	12.19	11.25	0.698	3.070	36.50	12.0	240
		30	1940	1141	11.66	39714	8.55	29121	11.42	11.18	0.578	2.542	31.43	10.3	212
		60	1683	990	10.84	36921	7.5	25545	11.12	10.48	0.502	2.210	28.20	9.2	197
	Medium	0	1677	986	12.79	43563	8.97	30552	11.12	10.48	0.611	2.689	28.00	9.2	201
		30	1518	893	11.98	40804	8.32	28338	10.72	10.16	0.572	2.518	24.60	8.1	180
		60	1339	788	11.1	37807	7.6	25886	10.15	9.7	0.530	2.333	21.10	6.9	169
	Low	0	1435	844	11.66	39714	8.02	27316	10.4	9.89	0.557	2.452	23.30	7.6	168
		30	1302	766	10.89	37091	7.43	25307	10.06	9.61	0.521	2.290	20.30	6.7	155
		60	1135	668	9.97	33958	6.69	22786	9.48	9.11	0.476	2.095	17.00	5.6	147
FP-238	High	0	2618	1540	13.64	46458	8.42	28661	12.11	11.17	0.623	2.743	24.09	7.9	418
		30	2380	1400	12.4	42234	7.65	26056	11.65	10.83	0.567	2.493	21.90	7.2	380
		60	2142	1260	11.16	38011	6.89	23450	11.05	10.4	0.510	2.244	18.62	6.1	342
	Medium	0	2102	1236	10.86	36989	6.64	22616	11.01	10.39	0.500	2.199	17.87	5.9	368
		30	1892	1113	9.77	33290	5.98	20354	10.66	10.11	0.485	2.132	14.30	4.7	334
		60	1703	1002	8.80	29961	5.38	18319	10.09	9.65	0.459	2.020	12.10	4.0	301
	Low	0	1793	1055	9.43	32119	5.64	19210	10.33	9.84	0.439	1.930	12.50	4.1	314
		30	1614	949	8.49	28907	5.08	17289	9.99	9.55	0.413	1.818	12.00	3.9	285
		60	1452	854	7.64	26016	4.57	15560	9.41	9.05	0.383	1.683	9.60	3.1	257
FP-272	High	0	2992	1760	14.85	50579	8.69	29598	12.05	11.1	0.700	3.079	29.81	9.8	523
		30	2720	1600	13.5	45981	7.9	26907	11.59	10.76	0.636	2.799	27.10	8.9	475
		60	2448	1440	12.15	41383	7.11	24217	10.98	10.32	0.573	2.519	23.04	7.6	428
	Medium	0	2401	1412	11.87	40429	7.01	23876	10.94	10.31	0.561	2.469	22.11	7.3	460
		30	2161	1271	10.68	36386	6.31	21488	10.59	10.03	0.544	2.393	17.69	5.8	418
		60	1945	1144	9.61	32748	5.68	19340	10.01	9.57	0.515	2.267	14.97	376	4.9
	Low	0	2045	1203	10.48	35695	5.82	19823	10.26	9.75	0.492	2.166	15.80	5.2	392
		30	1841	1083	9.43	32125	5.24	17841	9.91	9.47	0.464	2.040	12.64	4.1	356
		60	1656	974	8.49	28913	4.71	16057	9.33	8.96	0.429	1.889	9.73	3.2	321
FP-306	High	0	3366	1980	17.60	59946	10.47	35668	11.91	10.98	0.816	3.590	41.25	13.5	589
		30	3060	1800	16.00	54496	9.52	32425	11.45	10.64	0.742	3.263	37.50	12.3	535
		60	2754	1620	14.40	49046	8.57	29183	10.83	10.19	0.668	2.937	33.75	11.1	482
	Medium	0	2712	1595	13.98	47616	8.42	28679	10.79	10.18	0.654	2.878	32.86	10.8	518
		30	2441	1436	12.58	42854	7.58	25811	10.44	9.9	0.634	2.790	30.12	9.9	471
		60	2197	1292	11.32	38569	6.82	23230	9.86	9.42	0.601	2.643	28.92	9.5	424
	Low	0	2285	1344	11.56	39373	7.03	23944	10.11	9.62	0.574	2.526	29.65	9.7	441
		30	2057	1210	10.40	35436	6.33	21550	9.75	9.33	0.541	2.379	27.59	9.0	401
		60	1851	1089	9.36	31892	5.69	19395	9.16	8.81	0.501	2.203	24.66	8.1	361
FP-340	High	0	3740	2200	18.70	63692	11.90	40538	12.06	11.05	0.874	3.845	45.32	14.9	704
		30	3400	2000	17.00	57902	10.82	36853	11.6	10.69	0.794	3.496	41.20	13.5	640
		60	3060	1800	15.30	52112	9.74	33168	10.99	10.25	0.715	3.146	37.08	12.2	576
	Medium	0	2982	1754	14.96	50954	9.62	32779	10.96	10.24	0.701	3.083	36.08	11.8	620
		30	2684	1579	13.46	45858	8.66	29501	10.6	9.97	0.679	2.989	32.53	10.7	563
		60	2415	1421	12.12	41273	7.80	26551	10.03	9.49	0.644	2.831	29.86	9.8	507
	Low	0	2532	1489	12.57	42813	8.22	27997	10.28	9.68	0.615	2.706	31.02	10.2	528
		30	2279	1340	11.31	38532	7.40	25198	9.87	9.39	0.579	2.548	28.96	9.5	480
		60	2051	1206	10.18	34679	6.66	22678	9.28	8.88	0.536	2.360	25.63	8.4	432

Air Condition: EDB/EWB 27/19°C (80.6/66.2°F) Water Conditions: EWT/LWT 7/12°C (44.6/53.6°F) delta T 5°C (41°F)

Note:

EDB/EWB: Entering Air Dry-bulb Temperature / Entering Air Wet-bulb Temperature.

EWT/LWT: Entering Water Temperature / Leaving Water Temperature.

Standard ||3+1Rows|| 4Pipe

Model	Speed	ESP Pa	Air. Flow		Cooling Capacity				Air Off FCU		Water Flow		Water Pressure		Power Input watts
					Total		Sensible		DB	WB					
			m ³ /h	CFM	kW	Btu/h	kW	Btu/h	°C	°C	l/s	G.P.M	kPa	ft.wg	
FP-34	High	0	353	208	2.11	7175	1.46	4974	13.28	12.27	0.100	0.442	10.2	3.3	46
		30	320	188	1.68	5735	1.36	4621	12.64	11.75	0.089	0.390	8.9	2.9	44
		60	242	142	1.59	5409	1.08	3669	11.99	11.23	0.076	0.335	5.8	1.9	40
	Medium	0	279	164	1.78	6061	1.21	4131	12.37	11.56	0.085	0.375	7.3	2.4	36
		30	246	145	1.62	5518	1.09	3724	11.99	11.23	0.077	0.340	6.1	2.0	34
		60	181	106	1.25	4267	0.83	2827	11.33	10.67	0.060	0.262	3.6	1.2	31
	Low	0	186	109	1.28	4376	0.85	2908	11.33	10.67	0.061	0.270	3.8	1.3	31
		30	167	98	1.18	4023	0.78	2664	11.04	10.42	0.056	0.248	3.2	1.1	28
		60	121	71	0.89	3044	0.58	1984	9.80	10.25	0.043	0.187	1.9	0.6	26
FP-51	High	0	530	312	3.30	11252	2.24	7638	12.91	11.84	0.158	0.694	15.7	5.2	63
		30	490	288	2.94	10029	2.15	7339	12.35	11.49	0.149	0.653	11.4	3.7	59
		60	391	230	2.63	8969	1.76	6007	11.70	10.94	0.126	0.554	10.0	3.3	55
	Medium	0	428	252	2.80	9540	1.89	6442	12.09	11.28	0.134	0.589	11.4	3.7	54
		30	391	230	2.63	8969	1.76	6007	11.70	10.94	0.126	0.554	10.0	3.3	52
		60	307	181	2.17	7393	1.44	4892	11.02	10.37	0.104	0.456	6.8	2.2	49
	Low	0	349	205	2.41	8208	1.60	5463	11.34	10.65	0.115	0.507	8.4	2.8	49
		30	326	192	2.29	7801	1.51	5137	11.14	10.48	0.109	0.481	7.6	2.5	46
		60	251	148	1.85	6306	1.21	4131	10.41	9.86	0.088	0.389	5.0	1.6	42
FP-68	High	0	698	411	4.10	13970	2.86	9730	13.46	12.41	0.196	0.861	25.2	8.3	76
		30	650	382	3.72	12666	2.70	9187	12.92	11.99	0.192	0.845	20.7	6.8	80
		60	535	315	3.44	11715	2.34	7964	12.28	11.48	0.164	0.723	17.7	5.8	66
	Medium	0	549	323	3.50	11932	2.39	8127	12.39	11.53	0.168	0.737	18.5	6.1	59
		30	506	298	3.28	11171	2.23	7583	12.15	11.39	0.157	0.690	16.1	5.3	57
		60	422	248	2.87	9785	1.93	6578	11.45	10.81	0.137	0.605	12.4	4.1	53
	Low	0	465	274	3.13	10655	2.10	7148	11.68	10.95	0.150	0.658	14.8	4.8	51
		30	434	255	2.95	10057	1.98	6741	11.49	10.84	0.141	0.621	13.0	4.3	48
		60	352	207	2.51	8534	1.66	5653	10.81	10.29	0.120	0.528	9.4	3.1	43
FP-85	High	0	855	503	4.84	16471	3.42	11633	13.91	12.77	0.231	1.015	30.3	9.9	94
		30	820	482	4.67	15900	3.50	11905	13.56	12.57	0.221	0.972	28.8	9.5	87
		60	679	399	4.07	13862	2.85	9703	13.04	12.18	0.194	0.855	21.5	7.0	79
	Medium	0	679	399	4.07	13862	2.85	9703	13.04	12.18	0.194	0.855	21.5	7.0	72
		30	632	372	3.83	13046	2.68	9132	12.86	12.07	0.183	0.805	19.0	6.2	64
		60	539	317	3.43	11687	2.36	8045	12.23	11.57	0.164	0.721	15.3	5.0	58
	Low	0	581	342	3.66	12476	2.51	8562	12.51	11.70	0.175	0.770	17.4	5.7	61
		30	543	319	3.45	11742	2.38	8100	12.23	11.57	0.165	0.725	15.4	5.0	55
		60	442	260	2.94	10029	2.00	6822	11.58	11.03	0.141	0.619	11.3	3.7	49
FP-102	High	0	1028	605	5.99	20385	4.19	14269	13.56	12.50	0.286	1.257	37.6	12.3	120
		30	970	571	5.85	19923	4.14	14106	12.84	11.94	0.279	1.228	44.0	14.4	108
		60	823	484	5.32	18129	3.63	12367	12.12	11.40	0.254	1.119	29.8	9.8	99
	Medium	0	815	479	5.27	17939	3.60	12258	12.12	11.40	0.252	1.108	29.1	9.6	105
		30	759	446	5.05	17205	3.42	11633	11.74	11.09	0.241	1.061	26.8	8.8	95
		60	654	385	4.57	15574	3.05	10383	11.06	10.51	0.218	0.961	21.9	7.2	89
	Low	0	701	412	4.85	16525	3.22	10981	11.33	10.65	0.232	1.019	24.7	8.1	85
		30	651	383	4.55	15493	3.03	10328	11.06	10.51	0.217	0.956	21.7	7.1	79
		60	538	316	3.94	13427	2.59	8833	10.38	9.91	0.188	0.829	16.4	5.4	71
FP-136	High	0	1373	808	7.86	26772	5.55	18890	13.71	12.65	0.376	1.652	20.3	6.7	170
		30	1290	759	6.93	23592	5.03	17123	13.42	12.45	0.341	1.501	19.7	6.5	156
		60	1106	651	6.78	23103	4.73	16118	12.72	11.95	0.324	1.426	15.1	5.0	144
	Medium	0	1090	641	6.69	22777	4.66	15873	12.72	11.95	0.319	1.405	14.6	4.8	151
		30	1012	595	6.50	22152	4.46	15194	12.15	11.47	0.311	1.366	13.9	4.6	140
		60	879	517	5.93	20195	4.01	13671	11.44	10.90	0.283	1.246	11.5	3.8	132
	Low	0	936	551	6.14	20901	4.18	14242	11.90	11.25	0.293	1.289	12.4	4.1	133
		30	868	511	5.87	19977	3.97	13536	11.42	10.88	0.280	1.233	11.3	3.7	125
		60	730	429	5.19	17667	3.46	11769	10.77	10.31	0.248	1.089	8.8	2.9	118

Concealed Ceiling Fan Coil Unit Technical Sales Guide

Air Condition: EDB/EWB 27/19°C (80.6/66.2°F) Water Conditions: EWT/LWT 7/12°C (44.6/53.6°F) delta T 5°C (41°F)

Note:

Standard || 3+1Rows || 4Pipe

EDB/EWB: Entering Air Dry-bulb Temperature / Entering Air Wet-bulb Temperature.

EWT/LWT: Entering Water Temperature / Leaving Water Temperature.

Model	Speed	ESP Pa	Air. Flow		Cooling Capacity				Air Off FCU		Water Flow		Water Pressure		Power Input watts
					Total		Sensible		DB	WB					
			m ³ /h	CFM	kW	Btu/h	kW	Btu/h	°C	°C	l/s	G.P.M	kPa	ft.wg	
FP-170	High	0	1748	1028	10.85	36965	7.56	25749	13.70	12.62	0.518	2.281	38.4	12.6	190
		30	1610	947	8.90	30298	6.48	22087	13.22	12.95	0.427	1.881	29.4	9.6	174
		60	1390	818	9.44	32158	6.44	21944	12.40	11.66	0.451	1.985	29.0	9.5	158
	Medium	0	1389	817	9.42	32101	6.43	21916	12.40	11.66	0.450	1.981	29.0	9.5	160
		30	1265	744	8.85	30127	5.98	20371	12.03	11.33	0.423	1.859	25.5	8.4	150
		60	1107	651	8.13	27695	5.42	18454	11.34	10.75	0.388	1.708	21.6	7.1	138
	Low	0	1195	703	8.78	29898	5.82	19827	11.45	10.78	0.419	1.844	25.0	8.2	142
		30	1085	638	8.13	27695	5.38	18311	11.08	10.51	0.388	1.708	21.6	7.1	132
		60	925	544	7.27	24777	4.75	16193	9.87	10.33	0.348	1.530	17.2	5.7	121
FP-204	High	0	2094	1232	10.59	36078	7.83	26665	14.26	13.16	0.586	2.579	45.3	14.8	240
		30	1940	1141	9.79	33360	7.18	24462	13.36	13.08	0.485	2.135	39.0	12.8	212
		60	1683	990	9.11	31014	6.30	21458	13.01	12.26	0.422	1.856	35.0	11.5	197
	Medium	0	1677	986	10.74	36593	7.53	25664	13.01	12.26	0.513	2.259	34.7	11.4	201
		30	1518	893	10.06	34275	6.99	23804	12.54	11.89	0.481	2.115	30.5	10.0	180
		60	1339	788	9.32	31758	6.38	21744	11.88	11.35	0.445	1.960	26.2	8.6	169
	Low	0	1435	844	9.79	33360	6.74	22946	12.17	11.57	0.468	2.059	28.9	9.5	168
		30	1302	766	9.15	31157	6.24	21258	11.77	11.24	0.437	1.924	25.2	8.3	155
		60	1135	668	8.37	28525	5.62	19140	11.09	10.66	0.400	1.760	21.1	6.9	147
FP-238	High	0	2618	1540	11.46	39025	7.07	24076	14.17	13.07	0.524	2.304	29.9	9.8	418
		30	2380	1400	10.42	35477	6.43	21887	13.63	12.67	0.476	2.094	27.2	8.9	380
		60	2142	1260	9.37	31929	5.78	19698	12.93	12.17	0.428	1.885	23.1	7.6	342
	Medium	0	2102	1236	9.12	31071	5.58	18997	12.88	12.16	0.420	1.847	22.2	7.3	368
		30	1892	1113	8.21	27964	5.02	17098	12.47	11.83	0.407	1.791	17.7	5.8	334
		60	1703	1002	7.39	25167	4.52	15388	11.81	11.29	0.386	1.696	15.0	4.9	301
	Low	0	1793	1055	7.92	26980	4.74	16136	12.09	11.51	0.368	1.621	15.5	5.1	314
		30	1614	949	7.13	24282	4.26	14523	11.69	11.17	0.347	1.527	14.9	4.9	285
		60	1452	854	6.42	21853	3.84	13070	11.01	10.59	0.321	1.414	11.9	3.9	257
FP-272	High	0	2992	1760	12.47	42486	7.30	24862	14.10	12.99	0.588	2.586	37.0	12.1	523
		30	2720	1600	11.34	38624	6.64	22602	13.56	12.59	0.534	2.351	33.6	11.0	475
		60	2448	1440	10.21	34762	5.97	20342	12.85	12.07	0.481	2.116	28.6	9.4	428
	Medium	0	2401	1412	9.97	33961	5.89	20056	12.80	12.06	0.471	2.074	27.4	9.0	460
		30	2161	1271	8.97	30564	5.30	18050	12.39	11.74	0.457	2.010	21.9	7.2	418
		60	1945	1144	8.08	27508	4.77	16245	11.71	11.20	0.433	1.904	18.6	6.1	376
	Low	0	2045	1203	8.80	29984	4.89	16651	12.00	11.41	0.414	1.820	19.6	6.4	392
		30	1841	1083	7.92	26985	4.40	14986	11.59	11.08	0.390	1.714	15.7	5.1	356
		60	1656	974	7.13	24287	3.96	13488	10.92	10.48	0.361	1.587	12.1	4.0	321
FP-306	High	0	3366	1980	14.78	50354	8.80	29961	13.93	12.85	0.685	3.015	51.2	16.8	589
		30	3060	1800	13.44	45777	8.00	27237	13.40	12.45	0.623	2.741	46.5	15.2	535
		60	2754	1620	12.10	41199	7.20	24513	12.67	11.92	0.561	2.467	41.9	13.7	482
	Medium	0	2712	1595	11.74	39997	7.07	24090	12.62	11.91	0.549	2.418	40.7	13.4	518
		30	2441	1436	10.57	35998	6.37	21681	12.21	11.58	0.533	2.344	37.3	12.2	471
		60	2197	1292	9.51	32398	5.73	19513	11.54	11.02	0.505	2.220	35.9	11.8	424
	Low	0	2285	1344	9.71	33074	5.91	20113	11.83	11.26	0.482	2.122	36.8	12.1	441
		30	2057	1210	8.74	29766	5.31	18102	11.41	10.92	0.454	1.998	34.2	11.2	401
		60	1851	1089	7.87	26790	4.78	16292	10.72	10.31	0.421	1.850	30.6	10.0	361
FP-340	High	0	3740	2200	15.71	53501	10.00	34052	14.11	12.93	0.734	3.230	56.2	18.4	704
		30	3400	2000	14.28	48638	9.09	30956	13.57	12.51	0.667	2.936	51.1	16.8	640
		60	3060	1800	12.85	43774	8.18	27861	12.86	11.99	0.601	2.643	46.0	15.1	576
	Medium	0	2982	1754	12.57	42801	8.08	27535	12.82	11.98	0.589	2.590	44.7	14.7	620
		30	2684	1579	11.31	38521	7.28	24781	12.40	11.66	0.571	2.511	40.3	13.2	563
		60	2415	1421	10.18	34669	6.55	22303	11.74	11.10	0.541	2.378	37.0	12.1	507
	Low	0	2532	1489	10.56	35963	6.90	23518	12.03	11.33	0.517	2.273	38.5	12.6	528
		30	2279	1340	9.50	32367	6.21	21166	11.55	10.99	0.486	2.141	35.9	11.8	480
		60	2051	1206	8.55	29130	5.59	19049	10.86	10.39	0.450	1.982	31.8	10.4	432

Air Condition: EDB/EWB 24/18°C (75.2/64.4°F) Water Conditions: EWT/LWT 7/12°C (44.6/53.6°F) delta T 5°C (41°F)

Note:

Standard || 3Rows || 2Pipe

EDB/EWB: Entering Air Dry-bulb Temperature / Entering Air Wet-bulb Temperature.

EWT/LWT: Entering Water Temperature / Leaving Water Temperature.

Model	Speed	ESP Pa	Air. Flow m ³ /h CFM		Cooling Capacity				Air Off FCU		Water Flow		Water Pressure		Power Input watts
					Total		Sensible		DB	WB	l/s	G.P.M	kPa	ft.wg	
					kW	Btu/h	kW	Btu/h	°C	°C					
FP-34	High	0	380	224	2.00	6818	1.46	4974	13.41	12.35	0.094	0.414	8.19	2.7	46
		30	340	200	1.72	5852	1.36	4623	12.94	11.99	0.089	0.389	7.25	2.4	44
		60	260	153	1.51	5150	1.07	3658	12.46	11.61	0.071	0.313	4.71	1.5	40
	Medium	0	300	176	1.69	5764	1.21	4126	12.75	11.85	0.080	0.351	5.87	1.9	36
		30	265	156	1.54	5238	1.09	3716	12.46	11.61	0.073	0.319	4.86	1.6	34
		60	195	115	1.19	4038	0.83	2838	11.97	11.22	0.056	0.247	2.90	1.0	31
	Low	0	200	118	1.22	4155	0.86	2926	11.97	11.22	0.057	0.253	3.04	1.0	31
		30	180	106	1.12	3804	0.78	2663	11.76	11.04	0.053	0.232	2.61	0.9	28
		60	130	76	0.85	2897	0.58	1990	11.18	10.60	0.040	0.176	1.45	0.5	26
FP-51	High	0	570	335	3.14	10680	2.24	7637	13.14	12.03	0.148	0.650	12.75	4.2	63
		30	510	300	2.90	9861	2.07	7052	12.73	11.79	0.137	0.601	10.87	3.6	59
		60	420	247	2.50	8515	1.76	5999	12.25	11.40	0.118	0.519	8.12	2.7	55
	Medium	0	460	271	2.66	9071	1.89	6437	12.54	11.65	0.125	0.552	9.20	3.0	54
		30	420	247	2.50	8515	1.76	5999	12.25	11.40	0.118	0.519	8.12	2.7	52
		60	330	194	2.06	7023	1.43	4887	11.75	10.99	0.097	0.428	5.51	1.8	49
	Low	0	375	221	2.29	7813	1.61	5472	11.98	11.20	0.108	0.475	6.81	2.2	49
		30	350	206	2.17	7403	1.51	5150	11.83	11.07	0.102	0.451	6.09	2.0	46
		60	270	159	1.76	5999	1.21	4126	11.29	10.63	0.083	0.365	3.99	1.3	42
FP-68	High	0	750	441	3.89	13255	2.86	9744	13.55	12.45	0.183	0.807	20.36	6.7	76
		30	680	400	3.68	12524	2.67	9100	13.16	12.16	0.173	0.761	18.12	5.9	72
		60	575	338	3.26	11119	2.34	7959	12.68	11.79	0.154	0.676	14.35	4.7	66
	Medium	0	590	347	3.33	11353	2.39	8135	12.76	11.83	0.157	0.691	14.93	4.9	59
		30	544	320	3.12	10622	2.23	7579	12.58	11.73	0.147	0.646	13.04	4.3	57
		60	454	267	2.73	9305	1.93	6584	12.07	11.32	0.129	0.567	10.00	3.3	53
	Low	0	500	294	2.97	10124	2.10	7140	12.24	11.41	0.140	0.616	11.88	3.9	51
		30	467	275	2.81	9568	1.98	6730	12.10	11.33	0.132	0.582	10.58	3.5	48
		60	379	223	2.38	8105	1.66	5647	11.59	10.94	0.112	0.494	7.61	2.5	43
FP-85	High	0	920	541	4.59	15625	3.42	11646	13.88	12.72	0.216	0.952	24.49	8.0	94
		30	850	500	4.33	14748	3.22	10973	13.63	12.58	0.204	0.897	21.74	7.1	87
		60	730	429	3.87	13168	2.85	9715	13.24	12.30	0.182	0.802	17.39	5.7	79
	Medium	0	730	429	3.87	13168	2.85	9715	13.24	12.30	0.182	0.802	17.32	5.7	72
		30	680	400	3.63	12377	2.68	9129	13.11	12.24	0.171	0.754	15.36	5.0	64
		60	580	341	3.26	11090	2.36	8047	12.64	11.87	0.153	0.675	12.32	4.0	58
	Low	0	625	368	3.48	11851	2.52	8574	12.84	11.95	0.164	0.721	14.06	4.6	61
		30	583	343	3.27	11149	2.38	8105	12.64	11.87	0.154	0.679	12.46	4.1	55
		60	475	279	2.80	9539	2.00	6818	12.16	11.49	0.132	0.580	9.13	3.0	49
FP-102	High	0	1105	650	5.69	19371	4.19	14279	13.63	12.52	0.268	1.179	30.43	10.0	120
		30	1020	600	5.55	18903	4.03	13723	13.09	12.12	0.262	1.151	28.99	9.5	108
		60	885	521	5.05	17206	3.63	12377	12.56	11.75	0.238	1.048	24.06	7.9	99
	Medium	0	876	515	5.01	17059	3.60	12260	12.56	11.75	0.236	1.038	23.62	7.7	105
		30	816	480	4.79	16328	3.42	11646	12.27	11.52	0.226	0.994	21.67	7.1	95
		60	704	414	4.34	14777	3.05	10388	11.78	11.11	0.205	0.900	17.75	5.8	89
	Low	0	754	444	4.60	15684	3.22	10973	11.97	11.20	0.217	0.955	19.93	6.5	85
		30	700	412	4.32	14718	3.03	10329	11.78	11.11	0.204	0.896	17.54	5.7	79
		60	578	340	3.75	12758	2.59	8837	11.26	10.68	0.177	0.777	13.19	4.3	71
FP-136	High	0	1477	869	7.47	25428	5.55	18903	13.74	12.63	0.352	1.548	16.45	5.4	170
		30	1360	800	7.02	23906	5.20	17703	13.52	12.49	0.331	1.455	14.49	4.8	156
		60	1190	700	6.44	21946	4.73	16094	13.00	12.15	0.304	1.336	12.25	4.0	144
	Medium	0	1172	689	6.36	21653	4.66	15860	13.00	12.15	0.299	1.318	11.88	3.9	151
		30	1088	640	6.18	21039	4.46	15187	12.59	11.79	0.291	1.280	11.23	3.7	140
		60	945	556	5.63	19166	4.02	13694	12.06	11.40	0.265	1.167	9.35	3.1	132
	Low	0	1007	592	5.82	19839	4.18	14221	12.39	11.64	0.275	1.209	10.00	3.3	133
		30	933	549	5.58	18990	3.97	13519	12.04	11.38	0.263	1.156	9.13	3.0	125
		60	785	462	4.92	16767	3.45	11763	11.56	10.97	0.232	1.021	7.10	2.3	118

Concealed Ceiling Fan Coil Unit Technical Sales Guide

Air Condition: EDB/EWB 24/18°C (75.2/64.4°F) Water Conditions: EWT/LWT 7/12°C (44.6/53.6°F) delta T 5°C (41°F)

Note:

Standard || 3Rows || 2Pipe

EDB/EWB: Entering Air Dry-bulb Temperature / Entering Air Wet-bulb Temperature.

EWT/LWT: Entering Water Temperature / Leaving Water Temperature.

Model	Speed	ESP Pa	Air. Flow		Cooling Capacity				Air Off FCU		Water Flow		Water Pressure		Power Input watts
					Total		Sensible		DB	WB					
			m ³ /h	CFM	kW	Btu/h	kW	Btu/h	°C	°C	l/s	G.P.M	kPa	ft.wg	
FP-170	High	0	1880	1106	11.40	38828	8.36	28474	13.79	12.67	0.545	2.397	42.9	14.1	190
		30	1700	1000	10.74	36580	7.79	26533	13.38	12.38	0.513	2.256	38.0	12.5	174
		60	1495	879	9.92	33788	7.13	24285	12.84	12.00	0.474	2.084	32.4	10.6	158
	Medium	0	1493	878	9.90	33719	7.12	24251	12.84	12.00	0.473	2.081	32.3	10.6	160
		30	1360	800	9.29	31642	6.61	22514	12.55	11.76	0.444	1.953	28.5	9.3	150
		60	1190	700	8.54	29087	5.99	20402	12.05	11.35	0.408	1.794	24.0	7.9	138
	Low	0	1285	756	9.22	31403	6.43	21901	12.13	11.35	0.440	1.937	28.0	9.2	142
		30	1167	686	8.54	29087	5.95	20266	11.86	11.17	0.408	1.794	24.0	7.9	132
		60	995	585	7.64	26022	5.26	17916	11.30	10.72	0.365	1.607	19.3	6.3	121
FP-204	High	0	2252	1325	12.89	43903	9.70	33038	14.21	13.07	0.616	2.708	50.5	16.6	240
		30	2040	1200	12.16	41417	9.06	30858	13.81	12.79	0.581	2.556	45.0	14.8	212
		60	1810	1065	11.33	38590	8.36	28474	13.28	12.44	0.541	2.381	39.1	12.8	197
	Medium	0	1804	1061	11.29	38454	8.33	28372	13.28	12.44	0.539	2.372	38.8	12.7	201
		30	1632	960	10.57	36001	7.73	26328	12.94	12.18	0.505	2.222	34.0	11.1	180
		60	1440	847	9.79	33345	7.05	24012	12.45	11.79	0.468	2.058	29.2	9.6	169
	Low	0	1543	908	10.29	35048	7.45	25375	12.66	11.95	0.492	2.163	32.2	10.6	168
		30	1400	824	9.61	32732	6.90	23501	12.36	11.72	0.459	2.020	28.1	9.2	155
		60	1220	718	8.80	29973	6.22	21185	11.87	11.30	0.420	1.849	23.6	7.7	147
FP-238	High	0	2615	1538	10.20	34750	6.29	21439	14.00	12.92	0.464	2.041	13.5	4.4	418
		30	2380	1400	9.28	31591	5.72	19490	13.47	12.52	0.422	1.856	12.3	4.0	380
		60	2120	1247	8.35	28432	5.15	17541	12.78	12.03	0.380	1.670	10.5	3.4	342
	Medium	0	2086	1227	8.12	27668	4.97	16917	12.73	12.01	0.372	1.637	10.0	3.3	368
		30	1904	1120	7.31	24901	4.47	15225	12.33	11.69	0.361	1.587	8.0	2.6	334
		60	1700	1000	6.58	22411	4.02	13702	11.67	11.16	0.342	1.503	6.8	2.2	301
	Low	0	1787	1051	7.05	24025	4.22	14369	11.95	11.38	0.326	1.436	7.0	2.3	314
		30	1633	961	6.35	21622	3.80	12932	11.55	11.04	0.307	1.353	6.7	2.2	285
		60	1430	841	5.71	19460	3.42	11639	10.88	10.47	0.285	1.253	5.4	1.8	257
FP-272	High	0	2994	1761	11.11	37833	6.50	22139	13.93	12.84	0.521	2.291	16.7	5.5	523
		30	2720	1600	10.10	34394	5.91	20127	13.40	12.44	0.473	2.083	15.2	5.0	475
		60	2430	1429	9.09	30954	5.32	18114	12.70	11.93	0.426	1.875	12.9	4.2	428
	Medium	0	2391	1406	8.88	30241	5.24	17859	12.65	11.92	0.418	1.837	12.4	4.1	460
		30	2176	1280	7.99	27217	4.72	16073	12.25	11.60	0.405	1.781	9.9	3.3	418
		60	1945	1144	7.19	24495	4.25	14466	11.58	11.07	0.383	1.687	8.4	2.8	376
	Low	0	2047	1204	7.84	26700	4.35	14828	11.86	11.27	0.366	1.612	8.9	2.9	392
		30	1867	1098	7.06	24030	3.92	13345	11.46	10.95	0.345	1.519	7.1	2.3	356
		60	1645	968	6.35	21627	3.53	12010	10.79	10.36	0.320	1.406	5.5	1.8	321
FP-306	High	0	3371	1983	13.16	44839	7.83	26679	13.77	12.70	0.607	2.672	23.2	7.6	589
		30	3060	1800	11.97	40763	7.12	24254	13.24	12.30	0.552	2.429	21.1	6.9	535
		60	2740	1612	10.77	36687	6.41	21829	12.52	11.78	0.497	2.186	19.0	6.2	482
	Medium	0	2695	1585	10.46	35617	6.30	21452	12.48	11.77	0.487	2.142	18.5	6.0	518
		30	2448	1440	9.41	32055	5.67	19306	12.07	11.45	0.472	2.077	16.9	5.5	471
		60	2190	1288	8.47	28850	5.10	17376	11.40	10.89	0.447	1.967	16.2	5.3	424
	Low	0	2306	1356	8.65	29451	5.26	17910	11.69	11.12	0.427	1.880	16.6	5.5	441
		30	2100	1235	7.78	26506	4.73	16119	11.27	10.79	0.402	1.771	15.5	5.1	401
		60	1860	1094	7.00	23856	4.26	14507	10.59	10.19	0.373	1.639	13.8	4.5	361
FP-340	High	0	3748	2205	13.99	47642	8.90	30323	13.95	12.78	0.650	2.862	25.4	8.3	704
		30	3400	2000	12.72	43311	8.09	27566	13.41	12.36	0.591	2.602	23.1	7.6	640
		60	3050	1794	11.44	38980	7.28	24809	12.71	11.85	0.532	2.342	20.8	6.8	576
	Medium	0	2994	1761	11.19	38113	7.20	24519	12.67	11.84	0.522	2.295	20.3	6.6	620
		30	2720	1600	10.07	34302	6.48	22067	12.26	11.53	0.506	2.224	18.3	6.0	563
		60	2435	1432	9.06	30872	5.83	19860	11.60	10.97	0.479	2.107	16.8	5.5	507
	Low	0	2564	1508	9.40	32024	6.15	20942	11.89	11.19	0.458	2.014	17.4	5.7	528
		30	2333	1372	8.46	28822	5.53	18848	11.41	10.86	0.431	1.897	16.3	5.3	480
		60	2075	1221	7.62	25940	4.98	16963	10.73	10.27	0.399	1.756	14.4	4.7	432

Air Condition: EDB/EWB 24/18°C (75.2/64.4°F) Water Conditions: EWT/LWT 7/12°C (44.6/53.6°F) delta T 5°C (41°F)

Note:

Standard || 4Rows || 2Pipe

EDB/EWB: Entering Air Dry-bulb Temperature / Entering Air Wet-bulb Temperature.

EWT/LWT: Entering Water Temperature / Leaving Water Temperature.

Model	Speed	ESP Pa	Air. Flow m ³ /h CFM		Cooling Capacity				Air Off FCU		Water Flow		Water Pressure		Power Input watts
					Total		Sensible		DB °C	WB °C	l/s	G.P.M	kPa	ft.wg	
					kW	Btu/h	kW	Btu/h							
FP-34	High	0	353	208	2.31	7868	1.60	5454	11.23	10.38	0.111	0.486	6.3	2.1	46
		30	320	188	1.85	6288	1.49	5066	10.69	9.94	0.098	0.430	5.5	1.8	44
		60	242	142	1.74	5931	1.18	4023	10.15	9.50	0.084	0.368	3.6	1.2	40
	Medium	0	279	164	1.95	6646	1.33	4530	10.47	9.78	0.094	0.412	4.5	1.5	36
		30	246	145	1.78	6050	1.20	4083	10.15	9.50	0.085	0.375	3.8	1.2	34
		60	181	106	1.37	4679	0.91	3099	9.58	9.03	0.066	0.289	2.2	0.7	31
	Low	0	186	109	1.41	4798	0.94	3189	9.58	9.03	0.068	0.297	2.4	0.8	31
		30	167	98	1.30	4411	0.86	2921	9.34	8.82	0.062	0.273	2.0	0.7	28
		60	71	121	0.98	3338	0.64	2176	8.67	8.29	0.047	0.206	1.2	0.4	26
FP-51	High	0	530	312	3.62	12338	2.46	8375	10.92	10.02	0.174	0.765	9.8	3.2	63
		30	490	288	3.23	10997	2.36	8047	10.45	9.72	0.164	0.719	7.1	2.3	59
		60	391	230	2.89	9835	1.93	6586	9.89	9.25	0.139	0.610	6.2	2.0	55
	Medium	0	428	252	3.07	10461	2.07	7063	10.22	9.54	0.147	0.649	7.1	2.3	54
		30	391	230	2.89	9835	1.93	6586	9.89	9.25	0.139	0.610	6.2	2.0	52
		60	307	181	2.38	8106	1.58	5364	9.32	8.77	0.114	0.503	4.2	1.4	49
	Low	0	349	205	2.64	9000	1.76	5990	9.59	9.01	0.127	0.558	5.2	1.7	49
		30	326	192	2.51	8553	1.65	5633	9.43	8.87	0.120	0.529	4.7	1.5	46
		60	251	148	2.03	6914	1.33	4530	8.81	8.34	0.097	0.428	3.1	1.0	42
FP-68	High	0	698	411	4.50	15318	3.13	10669	11.39	10.50	0.216	0.948	15.6	5.1	76
		30	650	382	4.08	13888	2.96	10073	10.93	10.15	0.211	0.930	12.8	4.2	80
		60	535	315	3.77	12845	2.56	8732	10.39	9.71	0.181	0.796	11.0	3.6	66
	Medium	0	549	323	3.84	13083	2.62	8911	10.49	9.76	0.185	0.812	11.4	3.8	59
		30	506	298	3.60	12249	2.44	8315	10.28	9.63	0.173	0.759	10.0	3.3	57
		60	422	248	3.15	10729	2.12	7212	9.69	9.15	0.151	0.666	7.7	2.5	53
	Low	0	465	274	3.43	11683	2.30	7838	9.88	9.26	0.165	0.725	9.1	3.0	51
		30	434	255	3.24	11027	2.17	7391	9.72	9.17	0.155	0.684	8.1	2.6	48
		60	352	207	2.75	9358	1.82	6199	9.15	8.70	0.132	0.581	5.8	1.9	43
FP-85	High	0	855	503	5.30	18060	3.75	12755	11.77	10.81	0.254	1.118	18.7	6.1	94
		30	820	482	5.12	17434	3.83	13053	11.48	10.63	0.243	1.071	17.9	5.9	87
		60	679	399	4.46	15199	3.12	10639	11.03	10.30	0.214	0.942	13.3	4.4	79
	Medium	0	679	399	4.46	15199	3.12	10639	11.03	10.30	0.214	0.942	13.3	4.4	72
		30	632	372	4.20	14305	2.94	10014	10.88	10.21	0.201	0.886	11.8	3.9	64
		60	539	317	3.76	12815	2.59	8822	10.35	9.79	0.180	0.794	9.4	3.1	58
	Low	0	581	342	4.02	13679	2.76	9388	10.58	9.89	0.193	0.847	10.8	3.5	61
		30	543	319	3.78	12875	2.61	8881	10.35	9.79	0.181	0.798	9.5	3.1	55
		60	442	260	3.23	10997	2.20	7480	9.80	9.33	0.155	0.682	7.0	2.3	49
FP-102	High	0	1028	605	6.56	22352	4.59	15646	11.48	10.57	0.315	1.384	23.3	7.6	120
		30	970	571	6.41	21845	4.54	15467	10.86	10.10	0.307	1.352	27.2	8.9	108
		60	823	484	5.84	19878	3.98	13560	10.25	9.64	0.280	1.232	18.4	6.0	99
	Medium	0	815	479	5.78	19670	3.95	13441	10.25	9.64	0.277	1.220	18.0	5.9	105
		30	759	446	5.54	18865	3.75	12755	9.93	9.38	0.266	1.168	16.6	5.4	95
		60	654	385	5.01	17077	3.34	11385	9.36	8.89	0.240	1.058	13.6	4.5	89
	Low	0	701	412	5.32	18120	3.54	12040	9.58	9.01	0.255	1.122	15.3	5.0	85
		30	651	383	4.99	16987	3.33	11325	9.36	8.89	0.239	1.052	13.4	4.4	79
		60	538	316	4.32	14722	2.84	9686	8.78	8.38	0.207	0.913	10.1	3.3	71
FP-136	High	0	1373	808	8.62	29355	6.08	20713	11.60	10.70	0.413	1.819	12.6	4.1	170
		30	1290	759	7.60	25869	5.51	18776	11.35	10.53	0.376	1.653	12.2	4.0	156
		60	1106	651	7.44	25332	5.19	17673	10.76	10.11	0.357	1.570	9.4	3.1	144
	Medium	0	1090	641	7.33	24974	5.11	17405	10.76	10.11	0.352	1.547	9.1	3.0	151
		30	1012	595	7.13	24289	4.89	16660	10.28	9.70	0.342	1.504	8.6	2.8	140
		60	879	517	6.50	22143	4.40	14991	9.68	9.22	0.312	1.371	7.1	2.3	132
	Low	0	936	551	6.73	22918	4.59	15617	10.07	9.52	0.323	1.420	7.7	2.5	133
		30	868	511	6.43	21905	4.36	14842	9.66	9.21	0.308	1.357	7.0	2.3	125
		60	730	429	5.69	19372	3.79	12904	9.11	8.72	0.273	1.199	5.5	1.8	118

Air Condition: EDB/EWB 24/18°C (75.2/64.4°F) Water Conditions: EWT/LWT 7/12°C (44.6/53.6°F) delta T 5°C (41°F)
 Note: Standard ||4Rows||2Pipe

EDB/EWB: Entering Air Dry-bulb Temperature / Entering Air Wet-bulb Temperature.
 EWT/LWT: Entering Water Temperature / Leaving Water Temperature.

Model	Speed	ESP Pa	Air. Flow		Cooling Capacity				Air Off FCU		Water Flow		Water Pressure		Power Input watts
					Total		Sensible		DB	WB					
			m ³ /h	CFM	kW	Btu/h	kW	Btu/h	°C	°C	l/s	G.P.M	kPa	ft.wg	
FP-170	High	0	1748	1028	11.31	38505	7.88	26822	11.36	10.47	0.542	2.386	23.8	7.8	190
		30	1610	947	9.27	31561	6.76	23008	10.96	10.74	0.447	1.967	6.0	18.2	174
		60	1390	818	9.84	33498	6.71	22859	10.28	9.67	0.472	2.076	18.0	5.9	158
	Medium	0	1389	817	9.82	33438	6.70	22829	10.28	9.67	0.471	2.073	18.0	5.9	160
		30	1265	744	9.21	31382	6.23	21219	9.97	9.39	0.442	1.945	15.8	5.2	150
		60	1107	651	8.47	28849	5.64	19223	9.40	8.91	0.406	1.787	13.4	4.4	138
	Low	0	1195	703	9.14	31144	6.06	20653	9.50	8.93	0.438	1.929	15.5	5.1	142
		30	1085	638	8.47	28849	5.60	19074	9.19	8.71	0.406	1.787	13.4	4.4	132
		60	925	544	7.58	25809	4.95	16868	8.57	8.19	0.364	1.600	10.7	3.5	121
FP-204	High	0	2094	1232	11.03	37581	8.16	27776	11.82	10.91	0.613	2.697	28.0	9.2	240
		30	1940	1141	10.20	34750	7.48	25481	11.08	10.84	0.508	2.234	24.1	7.9	212
		60	1683	990	9.49	32306	6.56	22352	10.79	10.17	0.441	1.942	21.7	7.1	197
	Medium	0	1677	986	11.19	38117	7.85	26733	10.79	10.17	0.537	2.362	21.5	7.1	201
		30	1518	893	10.48	35703	7.28	24796	10.40	9.86	0.503	2.212	18.9	6.2	180
		60	1339	788	9.71	33081	6.65	22650	9.85	9.41	0.466	2.050	16.2	5.3	169
	Low	0	1435	844	10.20	34750	7.02	23902	10.09	9.59	0.490	2.154	17.9	5.9	168
		30	1302	766	9.53	32455	6.50	22143	9.76	9.32	0.457	2.012	15.6	5.1	155
		60	1135	668	8.72	29713	5.85	19938	9.20	8.84	0.418	1.841	13.1	4.3	147
FP-238	High	0	2618	1540	11.94	40651	7.36	25079	11.75	10.83	0.548	2.410	18.5	6.1	418
		30	2380	1400	10.85	36955	6.69	22799	11.30	10.51	0.498	2.191	16.8	5.5	380
		60	2142	1260	9.77	33260	6.02	20519	10.72	10.09	0.448	1.972	14.3	4.7	342
	Medium	0	2102	1236	9.50	32366	5.81	19789	10.68	10.08	0.439	1.932	13.7	4.5	368
		30	1892	1113	8.55	29129	5.23	17810	10.34	9.81	0.426	1.873	11.0	3.6	334
		60	1703	1002	7.70	26216	4.71	16029	9.79	9.36	0.403	1.774	9.3	3.0	301
	Low	0	1793	1055	8.25	28104	4.94	16809	10.02	9.54	0.385	1.696	9.6	3.1	314
		30	1614	949	7.43	25293	4.44	15128	9.69	9.26	0.363	1.597	9.2	3.0	285
		60	1452	854	6.68	22764	4.00	13615	9.13	8.78	0.336	1.479	7.4	2.4	257
FP-272	High	0	2992	1760	12.99	44257	7.60	25898	11.69	10.77	0.615	2.705	22.9	7.5	523
		30	2720	1600	11.81	40233	6.91	23544	11.24	10.44	0.559	2.459	20.8	6.8	475
		60	2448	1440	10.63	36210	6.22	21190	10.65	10.01	0.503	2.213	17.7	5.8	428
	Medium	0	2401	1412	10.39	35376	6.13	20892	10.61	10.00	0.493	2.169	17.0	5.6	460
		30	2161	1271	9.35	31838	5.52	18802	10.27	9.73	0.478	2.103	13.6	4.5	418
		60	1945	1144	8.41	28654	4.97	16922	9.71	9.28	0.453	1.992	11.5	3.8	376
	Low	0	2045	1203	9.17	31233	5.09	17345	9.95	9.46	0.433	1.903	12.1	4.0	392
		30	1841	1083	8.25	28110	4.58	15611	9.61	9.19	0.407	1.793	9.7	3.2	356
		60	1656	974	7.43	25299	4.12	14049	9.05	8.69	0.377	1.660	7.5	2.5	321
FP-306	High	0	3366	1980	15.40	52452	9.16	31209	11.55	10.65	0.717	3.154	31.7	10.4	589
		30	3060	1800	14.00	47684	8.33	28372	11.11	10.32	0.652	2.867	28.8	9.4	535
		60	2754	1620	12.60	42916	7.50	25535	10.51	9.88	0.586	2.580	25.9	8.5	482
	Medium	0	2712	1595	12.23	41664	7.37	25094	10.47	9.87	0.575	2.529	25.2	8.3	518
		30	2441	1436	11.01	37498	6.63	22584	10.13	9.60	0.557	2.451	23.1	7.6	471
		60	2197	1292	9.91	33748	5.97	20326	9.56	9.14	0.528	2.322	22.2	7.3	424
	Low	0	2285	1344	10.12	34452	6.15	20951	9.81	9.33	0.504	2.219	22.8	7.5	441
		30	2057	1210	9.10	31007	5.54	18856	9.46	9.05	0.475	2.090	21.2	6.9	401
		60	1851	1089	8.19	27906	4.98	16970	8.89	8.55	0.440	1.935	18.9	6.2	361
FP-340	High	0	3740	2200	16.36	55731	10.41	35471	11.70	10.72	0.768	3.378	34.8	11.4	704
		30	3400	2000	14.88	50664	9.47	32246	11.25	10.37	0.698	3.071	31.6	10.4	640
		60	3060	1800	13.39	45598	8.52	29022	10.66	9.94	0.628	2.764	28.5	9.3	576
	Medium	0	2982	1754	13.09	44585	8.42	28682	10.63	9.93	0.616	2.709	27.7	9.1	620
		30	2684	1579	11.78	40126	7.58	25814	10.28	9.67	0.597	2.626	25.0	8.2	563
		60	2415	1421	10.60	36113	6.82	23232	9.73	9.21	0.565	2.488	22.9	7.5	507
	Low	0	2532	1489	11.00	37462	7.19	24498	9.97	9.39	0.540	2.377	23.8	7.8	528
		30	2279	1340	9.90	33716	6.47	22048	9.57	9.11	0.509	2.239	22.2	7.3	480
		60	2051	1206	8.91	30344	5.83	19843	9.00	8.61	0.471	2.073	19.7	6.5	432

Air Condition: EDB/EWB 24/18°C (75.2/64.4°F) Water Conditions: EWT/LWT 7/12°C (44.6/53.6°F) delta T 5°C (41°F)

Note:

EDB/EWB: Entering Air Dry-bulb Temperature / Entering Air Wet-bulb Temperature.

EWT/LWT: Entering Water Temperature / Leaving Water Temperature.

Standard ||3+1Rows|| 4Pipe

Model	Speed	ESP Pa	Air. Flow m ³ /h CFM		Cooling Capacity				Air Off FCU		Water Flow		Water Pressure		Power Input watts
					Total		Sensible		DB °C	WB °C	l/s	G.P.M	kPa	ft.wg	
					kW	Btu/h	kW	Btu/h							
FP-34	High	0	353	208	1.79	6099	1.24	4228	13.28	12.27	0.085	0.376	7.3	2.4	46
		30	320	188	1.43	4875	1.15	3927	12.64	11.75	0.075	0.332	6.4	2.1	44
		60	242	142	1.35	4597	0.92	3119	11.99	11.23	0.065	0.284	4.2	1.4	40
	Medium	0	279	164	1.51	5152	1.03	3512	12.37	11.56	0.072	0.318	5.3	1.7	36
		30	246	145	1.38	4690	0.93	3165	11.99	11.23	0.066	0.289	4.4	1.4	34
		60	181	106	1.06	3627	0.71	2403	11.33	10.67	0.051	0.223	2.6	0.8	31
	Low	0	186	109	1.09	3720	0.73	2472	11.33	10.67	0.052	0.230	2.8	0.9	31
		30	167	98	1.00	3419	0.66	2264	11.04	10.42	0.048	0.211	2.3	0.8	28
		60	121	71	0.76	2588	0.50	1687	10.25	9.80	0.036	0.159	1.3	0.4	26
FP-51	High	0	530	312	2.81	9565	1.91	6492	12.91	11.84	0.134	0.590	11.3	3.7	63
		30	490	288	2.50	8525	1.83	6238	12.35	11.49	0.126	0.555	8.2	2.7	59
		60	391	230	2.24	7624	1.50	5106	11.70	10.94	0.107	0.471	7.2	2.4	55
	Medium	0	428	252	2.38	8109	1.61	5475	12.09	11.28	0.114	0.501	8.2	2.7	54
		30	391	230	2.24	7624	1.50	5106	11.70	10.94	0.107	0.471	7.2	2.4	52
		60	307	181	1.84	6284	1.22	4159	11.02	10.37	0.088	0.388	4.9	1.6	49
	Low	0	349	205	2.05	6977	1.36	4644	11.34	10.65	0.098	0.431	6.1	2.0	49
		30	326	192	1.95	6631	1.28	4366	11.14	10.48	0.093	0.409	5.4	1.8	46
		60	251	148	1.57	5360	1.03	3512	10.41	9.86	0.075	0.331	3.6	1.2	42
FP-68	High	0	698	411	3.49	11875	2.43	8271	13.46	12.41	0.166	0.732	18.1	5.9	76
		30	650	382	3.16	10766	2.29	7809	12.92	11.99	0.163	0.718	14.9	4.9	80
		60	535	315	2.92	9957	1.99	6769	12.28	11.48	0.140	0.614	12.8	4.2	66
	Medium	0	549	323	2.98	10142	2.03	6908	12.39	11.53	0.142	0.627	13.3	4.4	59
		30	506	298	2.79	9495	1.89	6446	12.15	11.39	0.133	0.586	11.6	3.8	57
		60	422	248	2.44	8317	1.64	5591	11.45	10.81	0.117	0.514	8.9	2.9	53
	Low	0	465	274	2.66	9056	1.78	6076	11.68	10.95	0.127	0.560	10.6	3.5	51
		30	434	255	2.51	8548	1.68	5730	11.49	10.84	0.120	0.528	9.4	3.1	48
		60	352	207	2.13	7254	1.41	4805	10.81	10.29	0.102	0.449	6.8	2.2	43
FP-85	High	0	855	503	4.11	14000	2.90	9888	13.91	12.77	0.196	0.863	21.8	7.1	94
		30	820	482	3.97	13515	2.97	10119	13.56	12.57	0.188	0.827	20.8	6.8	87
		60	679	399	3.46	11782	2.42	8248	13.04	12.18	0.165	0.727	15.4	5.1	79
	Medium	0	679	399	3.46	11782	2.42	8248	13.04	12.18	0.165	0.727	15.4	5.1	72
		30	632	372	3.26	11089	2.28	7763	12.86	12.07	0.155	0.684	13.7	4.5	64
		60	539	317	2.92	9934	2.01	6838	12.23	11.57	0.139	0.613	11.0	3.6	58
	Low	0	581	342	3.11	10604	2.14	7277	12.51	11.70	0.149	0.654	12.5	4.1	61
		30	543	319	2.93	9980	2.02	6885	12.23	11.57	0.140	0.616	11.1	3.6	55
		60	442	260	2.50	8525	1.70	5799	11.58	11.03	0.120	0.526	8.1	2.7	49
FP-102	High	0	1028	605	5.09	17327	3.56	12129	13.56	12.50	0.243	1.069	27.1	8.9	120
		30	970	571	4.97	16934	3.52	11990	12.84	11.94	0.237	1.044	31.7	10.4	108
		60	823	484	4.52	15410	3.09	10512	12.12	11.40	0.216	0.951	21.4	7.0	99
	Medium	0	815	479	4.48	15248	3.06	10419	12.12	11.40	0.214	0.942	21.0	6.9	105
		30	759	446	4.29	14624	2.90	9888	11.74	11.09	0.205	0.902	19.3	6.3	95
		60	654	385	3.89	13238	2.59	8825	11.06	10.51	0.186	0.817	15.8	5.2	89
	Low	0	701	412	4.12	14047	2.74	9334	11.33	10.65	0.197	0.866	17.8	5.8	85
		30	651	383	3.87	13169	2.58	8779	11.06	10.51	0.185	0.812	15.6	5.1	79
		60	538	316	3.35	11413	2.20	7508	10.38	9.91	0.160	0.705	11.8	3.9	71
FP-136	High	0	1373	808	6.68	22756	4.71	16057	13.71	12.65	0.319	1.404	14.6	4.8	170
		30	1290	759	5.89	20053	4.27	14555	13.42	12.45	0.290	1.276	14.2	4.7	156
		60	1106	651	5.77	19637	4.02	13700	12.72	11.95	0.275	1.212	10.9	3.6	144
	Medium	0	1090	641	5.68	19360	3.96	13492	12.72	11.95	0.272	1.195	10.5	3.5	151
		30	1012	595	5.53	18829	3.79	12915	12.15	11.47	0.264	1.161	10.0	3.3	140
		60	879	517	5.04	17165	3.41	11621	11.44	10.90	0.241	1.059	8.3	2.7	132
	Low	0	936	551	5.22	17766	3.55	12106	11.90	11.25	0.249	1.096	8.9	2.9	133
		30	868	511	4.99	16981	3.38	11505	11.42	10.88	0.238	1.048	8.1	2.7	125
		60	730	429	4.41	15017	2.94	10004	10.77	10.31	0.210	0.926	6.3	2.1	118

Concealed Ceiling Fan Coil Unit Technical Sales Guide

Air Condition: EDB/EWB 24/18°C (75.2/64.4°F) Water Conditions: EWT/LWT 7/12°C (44.6/53.6°F) delta T 5°C (41°F)

Note:

EDB/EWB: Entering Air Dry-bulb Temperature / Entering Air Wet-bulb Temperature.

EWT/LWT: Entering Water Temperature / Leaving Water Temperature.

Standard ||3+1Rows||4Pipe

Model	Speed	ESP Pa	Air. Flow m ³ /h CFM		Cooling Capacity				Air Off FCU		Water Flow		Water Pressure		Power Input watts
					Total		Sensible		DB	WB	l/s	G.P.M	kPa	ft.wg	
					kW	Btu/h	kW	Btu/h	°C	°C					
FP-170	High	0	1748	1028	9.22	31420	6.43	21887	13.70	12.62	0.441	1.939	27.7	9.1	190
		30	1610	947	7.56	25754	5.51	18774	13.22	12.95	0.363	1.599	21.2	6.9	174
		60	1390	818	8.03	27334	5.48	18653	12.40	11.66	0.383	1.687	20.9	6.8	158
	Medium	0	1389	817	8.01	27286	5.47	18628	12.40	11.66	0.383	1.684	20.9	6.8	160
		30	1265	744	7.52	25608	5.08	17315	12.03	11.33	0.359	1.580	18.4	6.0	150
		60	1107	651	6.91	23541	4.61	15686	11.34	10.75	0.330	1.452	15.5	5.1	138
	Low	0	1195	703	7.46	25413	4.95	16853	11.45	10.78	0.356	1.567	18.0	5.9	142
		30	1085	638	6.91	23541	4.57	15564	11.08	10.51	0.330	1.452	15.5	5.1	132
		60	925	544	6.18	21060	4.04	13764	10.33	9.87	0.296	1.300	12.4	4.1	121
FP-204	High	0	2094	1232	9.00	30666	6.65	22665	14.26	13.16	0.498	2.192	32.6	10.7	240
		30	1940	1141	8.33	28356	6.10	20793	13.36	13.08	0.413	1.815	28.1	9.2	212
		60	1683	990	7.74	26362	5.36	18239	13.01	12.26	0.359	1.578	25.2	8.3	197
	Medium	0	1677	986	9.13	31104	6.40	21814	13.01	12.26	0.436	1.920	25.0	8.2	201
		30	1518	893	8.55	29134	5.94	20233	12.54	11.89	0.409	1.798	22.0	7.2	180
		60	1339	788	7.93	26994	5.43	18482	11.88	11.35	0.379	1.666	18.8	6.2	169
	Low	0	1435	844	8.33	28356	5.73	19504	12.17	11.57	0.398	1.751	20.8	6.8	168
		30	1302	766	7.78	26483	5.31	18069	11.77	11.24	0.372	1.635	18.1	5.9	155
		60	1135	668	7.12	24246	4.78	16269	11.09	10.66	0.340	1.496	15.2	5.0	147
FP-238	High	0	2618	1540	9.74	33171	6.01	20464	14.17	13.07	0.445	1.958	21.5	7.1	418
		30	2380	1400	8.85	30155	5.46	18604	13.63	12.67	0.405	1.780	19.6	6.4	380
		60	2142	1260	7.97	27140	4.92	16744	12.93	12.17	0.364	1.602	16.6	5.4	342
	Medium	0	2102	1236	7.75	26410	4.74	16148	12.88	12.16	0.357	1.570	16.0	5.2	368
		30	1892	1113	6.98	23769	4.27	14533	12.47	11.83	0.346	1.522	12.8	4.2	334
		60	1703	1002	6.28	21392	3.84	13080	11.81	11.29	0.328	1.442	10.8	3.5	301
	Low	0	1793	1055	6.73	22933	4.03	13716	12.09	11.51	0.313	1.378	11.2	3.7	314
		30	1614	949	6.06	20639	3.62	12344	11.69	11.17	0.295	1.298	10.7	3.5	285
		60	1452	854	5.45	18575	3.26	11110	11.01	10.59	0.273	1.202	8.6	2.8	257
FP-272	High	0	2992	1760	10.60	36113	6.20	21133	14.10	12.99	0.500	2.198	26.6	8.7	523
		30	2720	1600	9.64	32830	5.64	19212	13.56	12.59	0.454	1.998	24.2	7.9	475
		60	2448	1440	8.68	29547	5.08	17291	12.85	12.07	0.409	1.799	20.6	6.7	428
	Medium	0	2401	1412	8.48	28866	5.01	17048	12.80	12.06	0.401	1.763	19.7	6.5	460
		30	2161	1271	7.63	25980	4.50	15343	12.39	11.74	0.388	1.709	15.8	5.2	418
		60	1945	1144	6.86	23382	4.05	13808	11.71	11.20	0.368	1.619	13.4	4.4	376
	Low	0	2045	1203	7.48	25486	4.16	14154	12.00	11.41	0.352	1.547	14.1	4.6	392
		30	1841	1083	6.73	22938	3.74	12738	11.59	11.08	0.331	1.457	11.3	3.7	356
		60	1656	974	6.06	20644	3.37	11464	10.92	10.48	0.307	1.349	8.7	2.8	321
FP-306	High	0	3366	1980	12.57	42801	7.48	25467	13.93	12.85	0.583	2.563	36.8	12.1	589
		30	3060	1800	11.42	38910	6.80	23152	13.40	12.45	0.530	2.330	33.5	11.0	535
		60	2754	1620	10.28	35019	6.12	20836	12.67	11.92	0.477	2.097	30.1	9.9	482
	Medium	0	2712	1595	9.98	33998	6.01	20476	12.62	11.91	0.467	2.055	29.3	9.6	518
		30	2441	1436	8.98	30598	5.41	18429	12.21	11.58	0.453	1.992	26.9	8.8	471
		60	2197	1292	8.09	27538	4.87	16586	11.54	11.02	0.429	1.887	25.8	8.5	424
	Low	0	2285	1344	8.25	28113	5.02	17096	11.83	11.26	0.410	1.803	26.5	8.7	441
		30	2057	1210	7.43	25301	4.52	15387	11.41	10.92	0.386	1.699	24.6	8.1	401
		60	1851	1089	6.69	22771	4.07	13848	10.72	10.31	0.357	1.573	22.0	7.2	361
FP-340	High	0	3740	2200	13.35	45476	8.50	28944	14.11	12.93	0.624	2.745	40.5	13.3	704
		30	3400	2000	12.14	41342	7.73	26313	13.57	12.51	0.567	2.496	36.8	12.1	640
		60	3060	1800	10.92	37208	6.95	23682	12.86	11.99	0.511	2.246	33.1	10.9	576
	Medium	0	2982	1754	10.68	36381	6.87	23404	12.82	11.98	0.500	2.201	32.2	10.6	620
		30	2684	1579	9.61	32743	6.18	21064	12.40	11.66	0.485	2.134	29.0	9.5	563
		60	2415	1421	8.65	29469	5.57	18958	11.74	11.10	0.459	2.022	26.7	8.7	507
	Low	0	2532	1489	8.97	30569	5.87	19990	12.03	11.33	0.439	1.932	27.7	9.1	528
		30	2279	1340	8.08	27512	5.28	17991	11.55	10.99	0.414	1.819	25.9	8.5	480
		60	2051	1206	7.27	24761	4.75	16192	10.86	10.39	0.383	1.685	22.9	7.5	432

Air Condition: EDB/EWB 27/19°C (80.6/66.2°F) Water Conditions: EWT/LWT 5.5/14.5°C (41.9/58.1°F) delta T 9°C (48.2°F)

Note:

Standard |3Rows| 2Pipe

EDB/EWB: Entering Air Dry-bulb Temperature / Entering Air Wet-bulb Temperature.

EWT/LWT: Entering Water Temperature / Leaving Water Temperature.

Model	Speed	ESP Pa	Air. Flow		Cooling Capacity				Air Off FCU		Water Flow		Water Pressure		Power Input watts
					Total		Sensible		DB	WB					
			m ³ /h	CFM	kW	Btu/h	kW	Btu/h	°C	°C	l/s	G.P.M	kPa	ft.wg	
FP-34	High	0	380	224	2.33	7936	1.7	5790	13.68	12.6	0.052	0.230	18.51	6.1	46
		30	340	200	2.00	6812	1.58	5381	13.2	12.23	0.049	0.216	16.38	5.4	44
		60	260	153	1.76	5995	1.25	4258	12.71	11.84	0.039	0.174	10.64	3.5	40
	Medium	0	300	176	1.97	6710	1.41	4802	13	12.09	0.044	0.195	13.27	4.3	36
		30	265	156	1.79	6097	1.27	4326	12.71	11.84	0.040	0.177	10.97	3.6	34
		60	195	115	1.38	4700	0.97	3304	12.21	11.44	0.031	0.137	6.55	2.1	31
	Low	0	200	118	1.42	4837	1	3406	12.21	11.44	0.032	0.140	6.88	2.3	31
		30	180	106	1.3	4428	0.91	3099	12	11.26	0.029	0.129	5.90	1.9	28
		60	130	76	0.99	3372	0.68	2316	11.4	10.81	0.022	0.098	3.28	1.1	26
FP-51	High	0	570	335	3.65	12432	2.61	8890	13.4	12.27	0.082	0.361	28.82	9.5	63
		30	510	300	3.37	11478	2.41	8208	12.98	12.03	0.076	0.334	24.57	8.1	59
		60	420	247	2.91	9911	2.05	6982	12.49	11.63	0.066	0.288	18.34	6.0	55
	Medium	0	460	271	3.1	10559	2.2	7493	12.79	11.88	0.070	0.307	20.80	6.8	54
		30	420	247	2.91	9911	2.05	6982	12.49	11.63	0.066	0.288	18.34	6.0	52
		60	330	194	2.4	8174	1.67	5688	11.98	11.21	0.054	0.238	12.45	4.1	49
	Low	0	375	221	2.67	9094	1.87	6369	12.22	11.42	0.060	0.264	15.39	5.0	49
		30	350	206	2.53	8617	1.76	5995	12.07	11.29	0.057	0.250	13.76	4.5	46
		60	270	159	2.05	6982	1.41	4802	11.52	10.84	0.046	0.203	9.01	3.0	42
FP-68	High	0	750	441	4.53	15429	3.33	11342	13.82	12.7	0.102	0.448	46.02	15.1	76
		30	680	400	4.28	14578	3.11	10593	13.42	12.4	0.096	0.423	40.94	13.4	72
		60	575	338	3.8	12943	2.72	9264	12.93	12.03	0.085	0.376	32.43	10.6	66
	Medium	0	590	347	3.88	13215	2.78	9469	13.02	12.07	0.087	0.384	33.74	11.1	59
		30	544	320	3.63	12364	2.59	8822	12.83	11.96	0.082	0.359	29.48	9.7	57
		60	454	267	3.18	10831	2.25	7664	12.31	11.55	0.072	0.315	22.60	7.4	53
	Low	0	500	294	3.46	11785	2.44	8311	12.48	11.64	0.078	0.342	26.86	8.8	51
		30	467	275	3.27	11138	2.3	7834	12.34	11.56	0.073	0.323	23.91	7.8	48
		60	379	223	2.77	9435	1.93	6574	11.82	11.16	0.062	0.274	17.20	5.6	43
FP-85	High	0	920	541	5.34	18188	3.98	13556	14.16	12.97	0.120	0.529	55.35	18.1	94
		30	850	500	5.04	17166	3.75	12773	13.9	12.83	0.113	0.498	49.13	16.1	87
		60	730	429	4.5	15327	3.32	11308	13.5	12.55	0.101	0.445	39.30	12.9	79
	Medium	0	730	429	4.5	15327	3.32	11308	13.5	12.55	0.101	0.445	39.30	12.8	72
		30	680	400	4.23	14407	3.12	10627	13.37	12.48	0.095	0.419	34.72	11.4	64
		60	580	341	3.79	12909	2.75	9367	12.89	12.11	0.085	0.375	27.84	9.1	58
	Low	0	625	368	4.05	13794	2.93	9980	13.1	12.19	0.091	0.401	31.77	10.4	61
		30	583	343	3.81	12977	2.77	9435	12.89	12.11	0.086	0.377	28.17	9.2	55
		60	475	279	3.26	11104	2.33	7936	12.4	11.72	0.073	0.322	20.63	6.8	49
FP-102	High	0	1105	650	6.62	22548	4.88	16621	13.9	12.77	0.149	0.655	68.78	22.6	120
		30	1020	600	6.46	22003	4.69	15974	13.35	12.36	0.145	0.639	65.51	21.5	108
		60	885	521	5.88	20027	4.23	14407	12.81	11.98	0.132	0.582	54.37	17.8	99
	Medium	0	876	515	5.83	19857	4.19	14271	12.81	11.98	0.131	0.577	53.39	17.5	105
		30	816	480	5.58	19005	3.98	13556	12.52	11.75	0.126	0.552	48.97	16.1	95
		60	704	414	5.05	17200	3.55	12091	12.02	11.33	0.114	0.500	40.12	13.2	89
	Low	0	754	444	5.36	18256	3.75	12773	12.21	11.42	0.121	0.531	45.04	14.8	85
		30	700	412	5.03	17132	3.53	12023	12.02	11.33	0.113	0.498	39.63	13.0	79
		60	578	340	4.36	14850	3.02	10286	11.49	10.89	0.098	0.432	29.81	9.8	71
FP-136	High	0	1477	869	8.69	29598	6.46	22003	14.01	12.88	0.196	0.860	37.18	12.2	170
		30	1360	800	8.17	27827	6.05	20606	13.79	12.74	0.184	0.808	32.75	10.7	156
		60	1190	700	7.5	25545	5.5	18733	13.26	12.39	0.169	0.742	27.68	9.1	144
	Medium	0	1172	689	7.4	25204	5.42	18461	13.26	12.39	0.166	0.732	26.86	8.8	151
		30	1088	640	7.19	24489	5.19	17677	12.84	12.03	0.162	0.711	25.38	8.3	140
		60	945	556	6.55	22309	4.68	15940	12.3	11.63	0.147	0.649	21.13	6.9	132
	Low	0	1007	592	6.78	23093	4.86	16553	12.64	11.87	0.153	0.672	22.60	7.4	133
		30	933	549	6.49	22105	4.62	15736	12.28	11.61	0.146	0.642	20.63	6.8	125
		60	785	462	5.73	19516	4.02	13692	11.79	11.19	0.129	0.567	16.05	5.3	118

Concealed Ceiling Fan Coil Unit Technical Sales Guide

Air Condition: EDB/EWB 27/19°C (80.6/66.2°F) Water Conditions: EWT/LWT 5.5/14.5°C (41.9/58.1°F) delta T 9°C (48.2°F)

Note:

District Cooling || 3Rows || 2Pipe

EDB/EWB: Entering Air Dry-bulb Temperature / Entering Air Wet-bulb Temperature.

EWT/LWT: Entering Water Temperature / Leaving Water Temperature.

Model	Speed	ESP Pa	Air. Flow m ³ /h CFM		Cooling Capacity				Air Off FCU		Water Flow l/s G.P.M		Water Pressure kPa ft.wg		Power Input watts
					Total		Sensible		DB	WB					
					kW	Btu/h	kW	Btu/h	°C	°C					
FP-170	High	0	1880	1106	11.40	38828	8.36	28474	13.79	12.67	0.545	2.397	42.9	14.1	190
		30	1700	1000	10.74	36580	7.79	26533	13.38	12.38	0.513	2.256	38.0	12.5	174
		60	1495	879	9.92	33788	7.13	24285	12.84	12.00	0.474	2.084	32.4	10.6	158
	Medium	0	1493	878	9.90	33719	7.12	24251	12.84	12.00	0.473	2.081	32.3	10.6	160
		30	1360	800	9.29	31642	6.61	22514	12.55	11.76	0.444	1.953	28.5	9.3	150
		60	1190	700	8.54	29087	5.99	20402	12.05	11.35	0.408	1.794	24.0	7.9	138
	Low	0	1285	756	9.22	31403	6.43	21901	12.13	11.35	0.440	1.937	28.0	9.2	142
		30	1167	686	8.54	29087	5.95	20266	11.86	11.17	0.408	1.794	24.0	7.9	132
		60	995	585	7.64	26022	5.26	17916	11.30	10.72	0.365	1.607	19.3	6.3	121
FP-204	High	0	2252	1325	12.89	43903	9.70	33038	14.21	13.07	0.616	2.708	50.5	16.6	240
		30	2040	1200	12.16	41417	9.06	30858	13.81	12.79	0.581	2.556	45.0	14.8	212
		60	1810	1065	11.33	38590	8.36	28474	13.28	12.44	0.541	2.381	39.1	12.8	197
	Medium	0	1804	1061	11.29	38454	8.33	28372	13.28	12.44	0.539	2.372	38.8	12.7	201
		30	1632	960	10.57	36001	7.73	26328	12.94	12.18	0.505	2.222	34.0	11.1	180
		60	1440	847	9.79	33345	7.05	24012	12.45	11.79	0.468	2.058	29.2	9.6	169
	Low	0	1543	908	10.29	35048	7.45	25375	12.66	11.95	0.492	2.163	32.2	10.6	168
		30	1400	824	9.61	32732	6.90	23501	12.36	11.72	0.459	2.020	28.1	9.2	155
		60	1220	718	8.80	29973	6.22	21185	11.87	11.30	0.420	1.849	23.6	7.7	147
FP-238	High	0	2615	1538	12.00	40883	7.41	25222	14.29	13.18	0.304	1.337	19.5	6.4	418
		30	2380	1400	10.91	37166	6.73	22929	13.75	12.78	0.276	1.216	17.8	5.8	380
		60	2120	1247	9.82	33450	6.06	20636	13.04	12.27	0.249	1.094	15.1	5.0	342
	Medium	0	2086	1227	9.56	32550	5.84	19902	12.99	12.26	0.244	1.072	14.5	4.8	368
		30	1904	1120	8.60	29295	5.26	17912	12.58	11.93	0.236	1.039	11.6	3.8	334
		60	1700	1000	7.74	26366	4.73	16121	11.91	11.39	0.224	0.985	9.8	3.2	301
	Low	0	1787	1051	8.30	28264	4.96	16905	12.19	11.61	0.214	0.941	10.1	3.3	314
		30	1633	961	7.47	25438	4.47	15214	11.79	11.27	0.201	0.886	9.7	3.2	285
		60	1430	841	6.72	22894	4.02	13693	11.10	10.68	0.187	0.821	7.8	2.6	257
FP-272	High	0	2994	1761	13.07	44510	7.65	26046	14.22	13.10	0.341	1.501	24.2	7.9	523
		30	2720	1600	11.88	40463	6.95	23679	13.68	12.70	0.310	1.365	22.0	7.2	475
		60	2430	1429	10.69	36417	6.26	21311	12.96	12.18	0.279	1.228	18.7	6.1	428
	Medium	0	2391	1406	10.45	35578	6.17	21011	12.91	12.17	0.274	1.204	17.9	5.9	460
		30	2176	1280	9.40	32020	5.55	18910	12.50	11.84	0.265	1.167	14.4	4.7	418
		60	1945	1144	8.46	28818	5.00	17019	11.81	11.29	0.251	1.105	12.2	4.0	376
	Low	0	2047	1204	9.22	31411	5.12	17444	12.11	11.51	0.240	1.056	12.8	4.2	392
		30	1867	1098	8.30	28270	4.61	15700	11.69	11.17	0.226	0.995	10.3	3.4	356
		60	1645	968	7.47	25443	4.15	14130	11.01	10.57	0.209	0.921	7.9	2.6	321
FP-306	High	0	3371	1983	15.49	52752	9.22	31388	14.05	12.96	0.398	1.750	33.5	11.0	589
		30	3060	1800	14.08	47956	8.38	28534	13.51	12.56	0.362	1.591	30.4	10.0	535
		60	2740	1612	12.67	43161	7.54	25681	12.78	12.02	0.325	1.432	27.4	9.0	482
	Medium	0	2695	1585	12.30	41902	7.41	25237	12.73	12.01	0.319	1.403	26.7	8.7	518
		30	2448	1440	11.07	37712	6.67	22713	12.32	11.68	0.309	1.360	24.4	8.0	471
		60	2190	1288	9.96	33941	6.00	20442	11.63	11.12	0.293	1.289	23.5	7.7	424
	Low	0	2306	1356	10.17	34649	6.19	21071	11.93	11.35	0.280	1.232	24.1	7.9	441
		30	2100	1235	9.16	31184	5.57	18964	11.51	11.01	0.264	1.160	22.4	7.3	401
		60	1860	1094	8.24	28065	5.01	17067	10.81	10.40	0.244	1.074	20.0	6.6	361
FP-340	High	0	3748	2205	16.46	56049	10.47	35674	14.23	13.04	0.426	1.875	36.8	12.1	704
		30	3400	2000	14.96	50954	9.52	32431	13.69	12.61	0.387	1.704	33.4	11.0	640
		60	3050	1794	13.46	45858	8.57	29188	12.97	12.10	0.349	1.534	30.1	9.9	576
	Medium	0	2994	1761	13.16	44839	8.47	28846	12.93	12.08	0.342	1.503	29.3	9.6	620
		30	2720	1600	11.85	40355	7.62	25961	12.51	11.76	0.331	1.457	26.4	8.7	563
		60	2435	1432	10.66	36320	6.86	23365	11.84	11.20	0.314	1.381	24.2	7.9	507
	Low	0	2564	1508	11.06	37676	7.23	24638	12.13	11.42	0.300	1.319	25.2	8.3	528
		30	2333	1372	9.96	33908	6.51	22174	11.65	11.08	0.282	1.243	23.5	7.7	480
		60	2075	1221	8.96	30517	5.86	19956	10.95	10.48	0.261	1.150	20.8	6.8	432

Air Condition: EDB/EWB 27/19°C (80.6/66.2°F) Water Conditions: EWT/LWT 5.5/14.5°C (41.9/58.1°F) delta T 9°C (48.2°F)

Note:

District Cooling || 4Rows || 2Pipe

EDB/EWB: Entering Air Dry-bulb Temperature / Entering Air Wet-bulb Temperature.

EWT/LWT: Entering Water Temperature / Leaving Water Temperature.

Model	Speed	ESP Pa	Air. Flow m ³ /h CFM		Cooling Capacity				Air Off FCU		Water Flow		Water Pressure		Power Input watts
					Total		Sensible		DB	WB	l/s	G.P.M	kPa	ft.wg	
					kW	Btu/h	kW	Btu/h	°C	°C					
FP-34	High	0	353	208	2.53	8632	1.76	5984	12.16	11.24	0.067	0.296	18.6	6.1	46
		30	320	188	2.03	6899	1.63	5559	11.57	10.76	0.059	0.261	16.3	5.4	44
		60	242	142	1.91	6507	1.30	4414	10.98	10.28	0.051	0.224	10.7	3.5	40
	Medium	0	279	164	2.14	7292	1.46	4970	11.33	10.58	0.057	0.251	13.4	4.4	36
		30	246	145	1.95	6638	1.32	4480	10.98	10.28	0.052	0.228	11.1	3.6	34
		60	181	106	1.51	5134	1.00	3401	10.37	9.78	0.040	0.176	6.6	2.2	31
	Low	0	186	109	1.55	5264	1.03	3499	10.37	9.78	0.041	0.181	7.0	2.3	31
		30	167	98	1.42	4839	0.94	3204	10.11	9.54	0.038	0.166	5.9	1.9	28
		60	121	71	1.08	3662	0.70	2387	9.39	8.98	0.028	0.125	3.4	1.1	26
FP-51	High	0	530	312	3.97	13537	2.70	9188	11.82	10.85	0.106	0.465	28.8	9.5	63
		30	490	288	3.54	12065	2.59	8828	11.31	10.52	0.099	0.437	20.9	6.8	59
		60	391	230	3.17	10790	2.12	7226	10.71	10.02	0.084	0.371	18.4	6.0	55
	Medium	0	428	252	3.37	11477	2.28	7749	11.07	10.33	0.090	0.394	20.9	6.8	54
		30	391	230	3.17	10790	2.12	7226	10.71	10.02	0.084	0.371	18.4	6.0	52
		60	307	181	2.61	8894	1.73	5886	10.09	9.49	0.069	0.305	12.5	4.1	49
	Low	0	349	205	2.90	9875	1.93	6572	10.38	9.75	0.077	0.339	15.4	5.1	49
		30	326	192	2.76	9384	1.81	6180	10.21	9.60	0.073	0.322	13.8	4.5	46
		60	251	148	2.23	7586	1.46	4970	9.53	9.03	0.059	0.260	9.1	3.0	42
FP-68	High	0	698	411	4.93	16807	3.44	11706	12.33	11.36	0.131	0.576	46.1	15.1	76
		30	650	382	4.47	15237	3.24	11052	11.83	10.98	0.128	0.565	37.9	12.4	80
		60	535	315	4.14	14093	2.81	9580	11.25	10.51	0.110	0.484	32.5	10.6	66
	Medium	0	549	323	4.21	14354	2.87	9777	11.35	10.56	0.112	0.493	33.8	11.1	59
		30	506	298	3.95	13439	2.68	9123	11.13	10.43	0.105	0.461	29.5	9.7	57
		60	422	248	3.46	11771	2.32	7913	10.49	9.90	0.092	0.405	22.7	7.4	53
	Low	0	465	274	3.76	12817	2.52	8599	10.70	10.03	0.100	0.441	27.0	8.9	51
		30	434	255	3.55	12098	2.38	8109	10.52	9.92	0.094	0.416	23.8	7.8	48
		60	352	207	3.01	10267	2.00	6801	9.90	9.42	0.080	0.353	17.3	5.7	43
FP-85	High	0	855	503	5.82	19815	4.11	13995	12.74	11.70	0.154	0.679	55.4	18.2	94
		30	820	482	5.62	19128	4.20	14322	12.42	11.51	0.148	0.651	52.8	17.3	87
		60	679	399	4.90	16676	3.43	11673	11.94	11.15	0.130	0.572	39.3	12.9	79
	Medium	0	679	399	4.90	16676	3.43	11673	11.94	11.15	0.130	0.572	39.3	12.9	72
		30	632	372	4.61	15695	3.23	10986	11.78	11.06	0.122	0.538	34.7	11.4	64
		60	539	317	4.13	14060	2.84	9678	11.20	10.59	0.110	0.482	27.9	9.2	58
	Low	0	581	342	4.41	15008	3.02	10300	11.46	10.71	0.117	0.515	31.8	10.4	61
		30	543	319	4.15	14125	2.86	9744	11.20	10.59	0.110	0.485	28.1	9.2	55
		60	442	260	3.54	12065	2.41	8207	10.61	10.10	0.094	0.414	20.7	6.8	49
FP-102	High	0	1028	605	7.20	24523	5.04	17166	12.42	11.45	0.191	0.841	68.8	22.6	120
		30	970	571	7.04	23967	4.98	16970	11.76	10.93	0.187	0.822	80.5	26.4	108
		60	823	484	6.40	21809	4.37	14877	11.10	10.44	0.170	0.749	54.5	17.9	99
	Medium	0	815	479	6.34	21580	4.33	14747	11.10	10.44	0.169	0.741	53.3	17.5	105
		30	759	446	6.08	20698	4.11	13995	10.75	10.15	0.161	0.710	49.0	16.1	95
		60	654	385	5.50	18736	3.67	12490	10.13	9.63	0.146	0.643	40.2	13.2	89
	Low	0	701	412	5.84	19880	3.88	13210	10.37	9.75	0.155	0.682	45.2	14.8	85
		30	651	383	5.47	18638	3.65	12425	10.13	9.63	0.145	0.640	39.7	13.0	79
		60	538	316	4.74	16153	3.12	10627	9.50	9.07	0.126	0.555	30.0	9.8	71
FP-136	High	0	1373	808	9.46	32207	6.67	22725	12.56	11.58	0.251	1.106	37.2	12.2	170
		30	1290	759	8.33	28382	6.05	20599	12.29	11.40	0.228	1.004	36.1	11.8	156
		60	1106	651	8.16	27793	5.69	19390	11.64	10.94	0.217	0.954	27.7	9.1	144
	Medium	0	1090	641	8.04	27401	5.61	19095	11.64	10.94	0.214	0.940	26.8	8.8	151
		30	1012	595	7.82	26649	5.37	18278	11.13	10.50	0.208	0.914	25.4	8.3	140
		60	879	517	7.13	24294	4.83	16447	10.48	9.99	0.189	0.833	21.1	6.9	132
	Low	0	936	551	7.38	25144	5.03	17134	10.90	10.30	0.196	0.863	22.7	7.4	133
		30	868	511	7.06	24033	4.78	16283	10.46	9.96	0.187	0.825	20.7	6.8	125
		60	730	429	6.24	21253	4.16	14158	9.86	9.44	0.166	0.729	16.1	5.3	118

Concealed Ceiling Fan Coil Unit Technical Sales Guide

Air Condition: EDB/EWB 27/19°C (80.6/66.2°F) Water Conditions: EWT/LWT 5.5/14.5°C (41.9/58.1°F) delta T 9°C (48.2°F)

Note:

District Cooling || 4Rows || 2Pipe

EDB/EWB: Entering Air Dry-bulb Temperature / Entering Air Wet-bulb Temperature.

EWT/LWT: Entering Water Temperature / Leaving Water Temperature.

Model	Speed	ESP Pa	Air. Flow m ³ /h CFM		Cooling Capacity				Air Off FCU		Water Flow l/s G.P.M		Water Pressure kPa ft.wg		Power Input watts
					Total		Sensible		DB	WB					
					kW	Btu/h	kW	Btu/h	°C	°C					
FP-170	High	0	1748	1028	12.40	42245	8.64	29428	12.30	11.33	0.330	1.450	70.4	23.1	190
		30	1610	947	10.17	34627	7.41	25243	11.87	11.62	0.272	1.196	53.9	17.7	174
		60	1390	818	10.79	36752	7.36	25079	11.13	10.47	0.287	1.262	53.1	17.4	158
	Medium	0	1389	817	10.77	36687	7.35	25046	11.13	10.47	0.286	1.260	53.1	17.4	160
		30	1265	744	10.11	34431	6.84	23281	10.79	10.16	0.269	1.182	46.8	15.3	150
		60	1107	651	9.29	31651	6.19	21090	10.17	9.65	0.247	1.086	39.5	13.0	138
	Low	0	1195	703	10.03	34169	6.65	22659	10.28	9.67	0.266	1.172	45.9	15.0	142
		30	1085	638	9.29	31651	6.14	20926	9.43	9.94	0.247	1.086	39.5	13.0	132
		60	925	544	8.31	28316	5.43	18507	9.27	8.86	0.221	0.972	31.6	10.3	121
FP-204	High	0	2094	1232	12.11	41232	8.95	30474	12.80	11.81	0.373	1.639	82.9	27.2	240
		30	1940	1141	11.19	38125	8.21	27956	11.99	11.74	0.309	1.358	71.3	23.4	212
		60	1683	990	10.41	35444	7.20	24523	11.68	11.00	0.268	1.180	64.0	21.0	197
	Medium	0	1677	986	12.28	41820	8.61	29330	11.68	11.00	0.326	1.436	63.6	20.8	201
		30	1518	893	11.50	39172	7.99	27204	11.26	10.67	0.306	1.344	55.8	18.3	180
		60	1339	788	10.66	36294	7.30	24850	10.66	10.19	0.283	1.246	47.9	15.7	169
	Low	0	1435	844	11.19	38125	7.70	26223	10.92	10.38	0.298	1.309	52.9	17.3	168
		30	1302	766	10.45	35608	7.13	24294	10.56	10.09	0.278	1.223	46.1	15.1	155
		60	1135	668	9.57	32600	6.42	21875	9.95	9.57	0.254	1.119	38.6	12.7	147
FP-238	High	0	2618	1540	13.09	44600	8.08	27515	12.72	11.73	0.333	1.465	54.7	17.9	418
		30	2380	1400	11.90	40545	7.34	25014	12.23	11.37	0.303	1.331	49.7	16.3	380
		60	2142	1260	10.71	36491	6.61	22512	11.60	10.92	0.272	1.198	42.3	13.9	342
	Medium	0	2102	1236	10.43	35510	6.37	21711	11.56	10.91	0.267	1.174	40.6	13.3	368
		30	1892	1113	9.38	31959	5.74	19540	11.19	10.62	0.259	1.138	32.5	10.6	334
		60	1703	1002	8.44	28763	5.16	17586	10.59	10.13	0.245	1.078	27.5	9.0	301
	Low	0	1793	1055	9.05	30834	5.41	18441	10.85	10.33	0.234	1.031	28.4	9.3	314
		30	1614	949	8.15	27750	4.87	16597	10.49	10.03	0.221	0.971	27.2	8.9	285
		60	1452	854	7.33	24975	4.39	14938	9.88	9.50	0.204	0.899	21.8	7.1	257
FP-272	High	0	2992	1760	14.26	48556	8.34	28414	12.65	11.66	0.374	1.644	67.7	22.2	523
		30	2720	1600	12.96	44142	7.58	25831	12.17	11.30	0.340	1.495	61.5	20.2	475
		60	2448	1440	11.66	39728	6.83	23248	11.53	10.84	0.306	1.345	52.3	17.1	428
	Medium	0	2401	1412	11.40	38812	6.73	22921	11.49	10.83	0.300	1.318	50.2	16.5	460
		30	2161	1271	10.26	34931	6.06	20629	11.12	10.53	0.290	1.278	40.2	13.2	418
		60	1945	1144	9.23	31438	5.45	18566	10.51	10.05	0.275	1.211	34.0	11.1	376
	Low	0	2045	1203	10.06	34267	5.59	19030	10.77	10.24	0.263	1.157	35.9	11.8	392
		30	1841	1083	9.05	30840	5.03	17127	10.41	9.94	0.248	1.090	28.7	9.4	356
		60	1656	974	8.15	27756	4.53	15414	9.80	9.41	0.229	1.009	22.1	7.2	321
FP-306	High	0	3366	1980	16.90	57548	10.05	34241	12.51	11.53	0.436	1.917	93.6	30.7	589
		30	3060	1800	15.36	52316	9.14	31128	12.02	11.17	0.396	1.743	85.1	27.9	535
		60	2754	1620	13.82	47085	8.23	28015	11.37	10.70	0.356	1.568	76.6	25.1	482
	Medium	0	2712	1595	13.42	45711	8.08	27531	11.33	10.69	0.349	1.537	74.6	24.5	518
		30	2441	1436	12.08	41140	7.27	24778	10.96	10.40	0.339	1.490	68.4	22.4	471
		60	2197	1292	10.87	37026	6.55	22300	10.35	9.89	0.321	1.412	65.6	21.5	424
	Low	0	2285	1344	11.10	37798	6.75	22986	10.62	10.10	0.307	1.349	67.3	22.1	441
		30	2057	1210	9.99	34019	6.07	20688	10.24	9.80	0.289	1.270	62.6	20.5	401
		60	1851	1089	8.99	30617	5.47	18619	9.62	9.25	0.267	1.176	56.0	18.4	361
FP-340	High	0	3740	2200	17.95	61145	11.43	38917	12.66	11.60	0.467	2.053	102.9	33.7	704
		30	3400	2000	16.32	55586	10.39	35379	12.18	11.22	0.424	1.867	93.5	30.7	640
		60	3060	1800	14.69	50027	9.35	31841	11.54	10.76	0.382	1.680	84.2	27.6	576
	Medium	0	2982	1754	14.36	48916	9.24	31468	11.51	10.75	0.374	1.646	81.9	26.9	620
		30	2684	1579	12.93	44024	8.32	28321	11.13	10.47	0.363	1.596	73.8	24.2	563
		60	2415	1421	11.63	39622	7.48	25489	10.53	9.96	0.344	1.512	67.8	22.2	507
	Low	0	2532	1489	12.07	41101	7.89	26877	10.79	10.16	0.328	1.445	70.4	23.1	528
		30	2279	1340	10.86	36991	7.10	24190	10.36	9.86	0.309	1.361	65.7	21.6	480
		60	2051	1206	9.77	33292	6.39	21771	9.74	9.32	0.286	1.260	58.2	19.1	432

Air Condition: EDB/EWB 24/18°C (75.2/64.4°F) Water Conditions: EWT/LWT 5.5/14.5°C (41.9/58.1°F) delta T 9°C (48.2°F)

Note:

District Cooling || 3Rows || 2Pipe

EDB/EWB: Entering Air Dry-bulb Temperature / Entering Air Wet-bulb Temperature.

EWT/LWT: Entering Water Temperature / Leaving Water Temperature.

Model	Speed	ESP Pa	Air. Flow m ³ /h CFM		Cooling Capacity				Air Off FCU		Water Flow		Water Pressure		Power Input watts
					Total		Sensible		DB	WB	l/s	G.P.M	kPa	ft.wg	
					kW	Btu/h	kW	Btu/h	°C	°C					
FP-34	High	0	380	224	1.96	6684	1.43	4877	13.41	12.35	0.052	0.228	18.01	5.9	46
		30	340	200	1.68	5737	1.33	4533	12.94	11.99	0.049	0.214	15.94	5.2	44
		60	260	153	1.48	5049	1.05	3586	12.46	11.61	0.039	0.172	10.36	3.4	40
	Medium	0	300	176	1.66	5651	1.19	4045	12.75	11.85	0.044	0.193	12.91	4.2	36
		30	265	156	1.51	5135	1.07	3643	12.46	11.61	0.040	0.175	10.68	3.5	34
		60	195	115	1.16	3959	0.82	2783	11.97	11.22	0.031	0.135	6.38	2.1	31
	Low	0	200	118	1.20	4074	0.84	2869	11.97	11.22	0.032	0.139	6.70	2.2	31
		30	180	106	1.09	3729	0.77	2611	11.76	11.04	0.029	0.127	5.74	1.9	28
		60	130	76	0.83	2840	0.57	1951	11.18	10.60	0.022	0.097	3.19	1.0	26
FP-51	High	0	570	335	3.07	10471	2.20	7487	13.14	12.03	0.081	0.357	28.06	9.2	63
		30	510	300	2.84	9668	2.03	6914	12.73	11.79	0.075	0.330	23.91	7.8	59
		60	420	247	2.45	8348	1.73	5881	12.25	11.40	0.065	0.285	17.86	5.9	55
	Medium	0	460	271	2.61	8893	1.85	6311	12.54	11.65	0.069	0.303	20.25	6.6	54
		30	420	247	2.45	8348	1.73	5881	12.25	11.40	0.065	0.285	17.86	5.9	52
		60	330	194	2.02	6885	1.41	4791	11.75	10.99	0.053	0.235	12.12	4.0	49
	Low	0	375	221	2.25	7660	1.58	5365	11.98	11.20	0.059	0.261	14.99	4.9	49
		30	350	206	2.13	7258	1.48	5049	11.83	11.07	0.056	0.248	13.39	4.4	46
		60	270	159	1.73	5881	1.19	4045	11.29	10.63	0.046	0.200	8.77	2.9	42
FP-68	High	0	750	441	3.82	12995	2.80	9553	13.55	12.45	0.101	0.443	44.80	14.7	76
		30	680	400	3.60	12278	2.62	8922	13.16	12.16	0.095	0.418	39.86	13.1	72
		60	575	338	3.20	10901	2.29	7803	12.68	11.79	0.084	0.372	31.57	10.3	66
	Medium	0	590	347	3.27	11131	2.34	7975	12.76	11.83	0.086	0.380	32.84	10.8	59
		30	544	320	3.06	10414	2.18	7430	12.58	11.73	0.081	0.355	28.70	9.4	57
		60	454	267	2.68	9123	1.90	6455	12.07	11.32	0.071	0.311	22.00	7.2	53
	Low	0	500	294	2.91	9926	2.06	7000	12.24	11.41	0.077	0.339	26.14	8.6	51
		30	467	275	2.75	9381	1.94	6598	12.10	11.33	0.073	0.320	23.28	7.6	48
		60	379	223	2.33	7946	1.63	5537	11.59	10.94	0.062	0.271	16.74	5.5	43
FP-85	High	0	920	541	4.50	15319	3.35	11418	13.88	12.72	0.119	0.523	53.88	17.7	94
		30	850	500	4.24	14458	3.16	10758	13.63	12.58	0.112	0.493	47.83	15.7	87
		60	730	429	3.79	12909	2.80	9524	13.24	12.30	0.100	0.440	38.26	12.5	79
	Medium	0	730	429	3.79	12909	2.80	9524	13.24	12.30	0.100	0.440	38.10	12.5	72
		30	680	400	3.56	12135	2.63	8950	13.11	12.24	0.094	0.414	33.80	11.1	64
		60	580	341	3.19	10873	2.32	7889	12.64	11.87	0.084	0.371	27.10	8.9	58
	Low	0	625	368	3.41	11618	2.47	8405	12.84	11.95	0.090	0.396	30.93	10.1	61
		30	583	343	3.21	10930	2.33	7946	12.64	11.87	0.085	0.373	27.42	9.0	55
		60	475	279	2.75	9352	1.96	6684	12.16	11.49	0.072	0.319	20.09	6.6	49
FP-102	High	0	1105	650	5.58	18991	4.11	13999	13.63	12.52	0.147	0.648	66.96	22.0	120
		30	1020	600	5.44	18532	3.95	13454	13.09	12.12	0.144	0.632	63.77	20.9	108
		60	885	521	4.95	16868	3.56	12135	12.56	11.75	0.131	0.576	52.93	17.4	99
	Medium	0	876	515	4.91	16725	3.53	12020	12.56	11.75	0.130	0.570	51.97	17.0	105
		30	816	480	4.70	16008	3.35	11418	12.27	11.52	0.124	0.546	47.67	15.6	95
		60	704	414	4.25	14487	2.99	10184	11.78	11.11	0.112	0.495	39.06	12.8	89
	Low	0	754	444	4.51	15376	3.16	10758	11.97	11.20	0.119	0.525	43.84	14.4	85
		30	700	412	4.24	14430	2.97	10127	11.78	11.11	0.112	0.492	38.58	12.6	79
		60	578	340	3.67	12508	2.54	8664	11.26	10.68	0.097	0.427	29.01	9.5	71
FP-136	High	0	1477	869	7.32	24929	5.44	18532	13.74	12.63	0.193	0.851	36.19	11.9	170
		30	1360	800	6.88	23438	5.10	17356	13.52	12.49	0.182	0.800	31.88	10.5	156
		60	1190	700	6.32	21516	4.63	15778	13.00	12.15	0.167	0.734	26.94	8.8	144
	Medium	0	1172	689	6.23	21229	4.57	15549	13.00	12.15	0.165	0.724	26.14	8.6	151
		30	1088	640	6.06	20626	4.37	14889	12.59	11.79	0.160	0.703	24.71	8.1	140
		60	945	556	5.52	18790	3.94	13426	12.06	11.40	0.146	0.641	20.57	6.7	132
	Low	0	1007	592	5.71	19450	4.09	13942	12.39	11.64	0.151	0.664	22.00	7.2	133
		30	933	549	5.47	18618	3.89	13254	12.04	11.38	0.144	0.635	20.09	6.6	125
		60	785	462	4.83	16438	3.39	11532	11.56	10.97	0.128	0.561	15.62	5.1	118

Concealed Ceiling Fan Coil Unit Technical Sales Guide

Air Condition: EDB/EWB 24/18°C (75.2/64.4°F) Water Conditions: EWT/LWT 5.5/14.5°C (41.9/58.1°F) delta T 9°C (48.2°F)

Note:

District Cooling || 3Rows || 2Pipe

EDB/EWB: Entering Air Dry-bulb Temperature / Entering Air Wet-bulb Temperature.

EWT/LWT: Entering Water Temperature / Leaving Water Temperature.

Model	Speed	ESP Pa	Air. Flow m ³ /h CFM		Cooling Capacity				Air Off FCU		Water Flow l/s G.P.M		Water Pressure kPa ft.wg		Power Input watts
					Total		Sensible		DB	WB					
					kW	Btu/h	kW	Btu/h	°C	°C					
FP-170	High	0	1880	1106	11.40	38828	8.36	28474	13.79	12.67	0.545	2.397	42.9	14.1	190
		30	1700	1000	10.74	36580	7.79	26533	13.38	12.38	0.513	2.256	38.0	12.5	174
		60	1495	879	9.92	33788	7.13	24285	12.84	12.00	0.474	2.084	32.4	10.6	158
	Medium	0	1493	878	9.90	33719	7.12	24251	12.84	12.00	0.473	2.081	32.3	10.6	160
		30	1360	800	9.29	31642	6.61	22514	12.55	11.76	0.444	1.953	28.5	9.3	150
		60	1190	700	8.54	29087	5.99	20402	12.05	11.35	0.408	1.794	24.0	7.9	138
	Low	0	1285	756	9.22	31403	6.43	21901	12.13	11.35	0.440	1.937	28.0	9.2	142
		30	1167	686	8.54	29087	5.95	20266	11.86	11.17	0.408	1.794	24.0	7.9	132
		60	995	585	7.64	26022	5.26	17916	11.30	10.72	0.365	1.607	19.3	6.3	121
FP-204	High	0	2252	1325	12.89	43903	9.70	33038	14.21	13.07	0.616	2.708	50.5	16.6	240
		30	2040	1200	12.16	41417	9.06	30858	13.81	12.79	0.581	2.556	45.0	14.8	212
		60	1810	1065	11.33	38590	8.36	28474	13.28	12.44	0.541	2.381	39.1	12.8	197
	Medium	0	1804	1061	11.29	38454	8.33	28372	13.28	12.44	0.539	2.372	38.8	12.7	201
		30	1632	960	10.57	36001	7.73	26328	12.94	12.18	0.505	2.222	34.0	11.1	180
		60	1440	847	9.79	33345	7.05	24012	12.45	11.79	0.468	2.058	29.2	9.6	169
	Low	0	1543	908	10.29	35048	7.45	25375	12.66	11.95	0.492	2.163	32.2	10.6	168
		30	1400	824	9.61	32732	6.90	23501	12.36	11.72	0.459	2.020	28.1	9.2	155
		60	1220	718	8.80	29973	6.22	21185	11.87	11.30	0.420	1.849	23.6	7.7	147
FP-238	High	0	2615	1538	10.05	34219	6.20	21111	13.12	12.10	0.254	1.119	13.7	4.5	418
		30	2380	1400	9.13	31108	5.63	19192	12.62	11.73	0.231	1.018	12.4	4.1	380
		60	2120	1247	8.22	27997	5.07	17273	11.97	11.27	0.208	0.916	10.6	3.5	342
	Medium	0	2086	1227	8.00	27245	4.89	16658	11.93	11.25	0.204	0.898	10.2	3.3	368
		30	1904	1120	7.20	24520	4.40	14992	11.55	10.95	0.198	0.870	8.1	2.7	334
		60	1700	1000	6.48	22068	3.96	13493	10.93	10.45	0.187	0.824	6.9	2.3	301
	Low	0	1787	1051	6.95	23657	4.15	14149	11.19	10.66	0.179	0.788	7.1	2.3	314
		30	1633	961	6.25	21292	3.74	12734	10.82	10.34	0.169	0.742	6.8	2.2	285
		60	1430	841	5.63	19162	3.36	11461	10.19	9.80	0.156	0.687	5.5	1.8	257
FP-272	High	0	2994	1761	10.94	37255	6.40	21801	13.05	12.02	0.286	1.257	16.9	5.6	523
		30	2720	1600	9.94	33868	5.82	19819	12.55	11.66	0.260	1.142	15.4	5.0	475
		60	2430	1429	8.95	30481	5.24	17837	11.89	11.18	0.234	1.028	13.1	4.3	428
	Medium	0	2391	1406	8.74	29779	5.16	17586	11.85	11.17	0.229	1.007	12.6	4.1	460
		30	2176	1280	7.87	26801	4.65	15828	11.47	10.86	0.222	0.977	10.0	3.3	418
		60	1945	1144	7.08	24121	4.18	14245	10.84	10.37	0.210	0.925	8.5	2.8	376
	Low	0	2047	1204	7.72	26291	4.29	14601	11.11	10.56	0.201	0.884	9.0	2.9	392
		30	1867	1098	6.95	23662	3.86	13141	10.73	10.26	0.189	0.833	7.2	2.4	356
		60	1645	968	6.25	21296	3.47	11827	10.11	9.71	0.175	0.771	5.5	1.8	321
FP-306	High	0	3371	1983	12.96	44154	7.71	26271	12.90	11.89	0.333	1.465	23.4	7.7	589
		30	3060	1800	11.78	40140	7.01	23883	12.40	11.53	0.303	1.332	21.3	7.0	535
		60	2740	1612	10.61	36126	6.31	21495	11.73	11.04	0.272	1.199	19.2	6.3	482
	Medium	0	2695	1585	10.30	35072	6.20	21123	11.69	11.03	0.267	1.175	18.7	6.1	518
		30	2448	1440	9.27	31565	5.58	19011	11.31	10.72	0.259	1.139	17.1	5.6	471
		60	2190	1288	8.34	28408	5.02	17110	10.68	10.20	0.245	1.079	16.4	5.4	424
	Low	0	2306	1356	8.51	29001	5.18	17636	10.95	10.42	0.234	1.031	16.8	5.5	441
		30	2100	1235	7.66	26101	4.66	15873	10.56	10.11	0.221	0.971	15.7	5.1	401
		60	1860	1094	6.90	23491	4.19	14285	9.92	9.54	0.204	0.899	14.0	4.6	361
FP-340	High	0	3748	2205	13.77	46913	8.77	29859	13.06	11.97	0.357	1.569	25.7	8.4	704
		30	3400	2000	12.52	42648	7.97	27144	12.57	11.58	0.324	1.427	23.4	7.7	640
		60	3050	1794	11.27	38383	7.17	24430	11.90	11.10	0.292	1.284	21.1	6.9	576
	Medium	0	2994	1761	11.02	37531	7.09	24144	11.87	11.09	0.286	1.258	20.5	6.7	620
		30	2720	1600	9.92	33777	6.38	21730	11.48	10.80	0.277	1.220	18.5	6.1	563
		60	2435	1432	8.93	30400	5.74	19557	10.86	10.28	0.263	1.156	17.0	5.6	507
	Low	0	2564	1508	9.26	31535	6.05	20622	11.14	10.49	0.251	1.104	17.6	5.8	528
		30	2333	1372	8.33	28381	5.45	18560	10.69	10.17	0.236	1.040	16.5	5.4	480
		60	2075	1221	7.50	25543	4.90	16704	10.05	9.62	0.219	0.963	14.6	4.8	432

Air Condition: EDB/EWB 24/18°C (75.2/64.4°F) Water Conditions: EWT/LWT 5.5/14.5°C (41.9/58.1°F) delta T 9°C (48.2°F)

Note:

District Cooling || 4Rows || 2Pipe

EDB/EWB: Entering Air Dry-bulb Temperature / Entering Air Wet-bulb Temperature.

EWT/LWT: Entering Water Temperature / Leaving Water Temperature.

Model	Speed	ESP Pa	Air. Flow		Cooling Capacity				Air Off FCU		Water Flow		Water Pressure		Power Input watts
					Total		Sensible		DB	WB					
			m ³ /h	CFM	kW	Btu/h	kW	Btu/h	°C	°C	l/s	G.P.M	kPa	ft.wg	
FP-34	High	0	353	208	2.28	7769	1.58	5385	11.25	10.39	0.060	0.266	15.3	5.0	46
		30	320	188	1.82	6209	1.47	5003	10.70	9.96	0.053	0.235	13.4	4.4	44
		60	242	142	1.72	5856	1.17	3973	10.16	9.51	0.046	0.201	8.7	2.9	40
	Medium	0	279	164	1.93	6562	1.31	4473	10.48	9.79	0.051	0.226	11.0	3.6	36
		30	246	145	1.75	5974	1.18	4032	10.16	9.51	0.047	0.205	9.1	3.0	34
		60	181	106	1.36	4620	0.90	3060	9.60	9.04	0.036	0.158	5.4	1.8	31
	Low	0	186	109	1.39	4738	0.92	3149	9.60	9.04	0.037	0.163	5.8	1.9	31
		30	167	98	1.28	4355	0.85	2884	9.35	8.83	0.034	0.149	4.8	1.6	28
		60	121	71	0.97	3296	0.63	2148	8.68	8.30	0.026	0.113	2.8	0.9	26
FP-51	High	0	530	312	3.58	12183	2.43	8269	10.94	10.03	0.095	0.418	23.6	7.8	63
		30	490	288	3.19	10859	2.33	7946	10.46	9.73	0.089	0.394	17.1	5.6	59
		60	391	230	2.85	9711	1.91	6504	9.91	9.27	0.076	0.334	15.1	4.9	55
	Medium	0	428	252	3.03	10329	2.05	6974	10.24	9.56	0.081	0.355	17.1	5.6	54
		30	391	230	2.85	9711	1.91	6504	9.91	9.27	0.076	0.334	15.1	4.9	52
		60	307	181	2.35	8004	1.56	5297	9.33	8.78	0.062	0.275	10.2	3.4	49
	Low	0	349	205	2.61	8887	1.74	5915	9.61	9.02	0.069	0.305	12.7	4.2	49
		30	326	192	2.48	8446	1.63	5562	9.44	8.88	0.066	0.290	11.4	3.7	46
		60	251	148	2.00	6827	1.31	4473	8.82	8.35	0.053	0.234	7.4	2.4	42
FP-68	High	0	698	411	4.44	15126	3.09	10535	11.40	10.51	0.118	0.519	37.8	12.4	76
		30	650	382	4.03	13713	2.92	9947	10.95	10.16	0.116	0.509	31.1	10.2	80
		60	535	315	3.72	12683	2.53	8622	10.40	9.72	0.099	0.435	26.6	8.7	66
	Medium	0	549	323	3.79	12919	2.58	8799	10.50	9.77	0.101	0.444	27.7	9.1	59
		30	506	298	3.55	12095	2.41	8210	10.30	9.64	0.094	0.415	24.2	7.9	57
		60	422	248	3.11	10594	2.09	7122	9.70	9.16	0.083	0.364	18.6	6.1	53
	Low	0	465	274	3.39	11536	2.27	7740	9.90	9.28	0.090	0.396	22.2	7.3	51
		30	434	255	3.20	10888	2.14	7298	9.73	9.18	0.085	0.374	19.5	6.4	48
		60	352	207	2.71	9240	1.80	6121	9.16	8.71	0.072	0.318	14.1	4.6	43
FP-85	High	0	855	503	5.24	17833	3.70	12595	11.78	10.82	0.139	0.611	45.4	14.9	94
		30	820	482	5.05	17215	3.78	12889	11.49	10.64	0.133	0.586	43.3	14.2	87
		60	679	399	4.41	15008	3.08	10506	11.04	10.31	0.117	0.515	32.2	10.6	79
	Medium	0	679	399	4.41	15008	3.08	10506	11.04	10.31	0.117	0.515	32.2	10.6	72
		30	632	372	4.15	14125	2.90	9888	10.90	10.23	0.110	0.485	28.5	9.3	64
		60	539	317	3.72	12654	2.56	8711	10.36	9.80	0.099	0.434	22.9	7.5	58
	Low	0	581	342	3.97	13507	2.72	9270	10.60	9.91	0.105	0.463	26.1	8.5	61
		30	543	319	3.73	12713	2.57	8769	10.36	9.80	0.099	0.436	23.1	7.6	55
		60	442	260	3.19	10859	2.17	7386	9.81	9.34	0.085	0.373	16.9	5.6	49
FP-102	High	0	1028	605	6.48	22071	4.54	15450	11.49	10.59	0.172	0.757	56.4	18.5	120
		30	970	571	6.33	21571	4.48	15273	10.88	10.11	0.168	0.740	66.0	21.6	108
		60	823	484	5.76	19628	3.93	13390	10.27	9.65	0.153	0.674	44.7	14.6	99
	Medium	0	815	479	5.70	19422	3.90	13272	10.27	9.65	0.152	0.667	43.7	14.3	105
		30	759	446	5.47	18628	3.70	12595	9.95	9.39	0.145	0.639	40.2	13.2	95
		60	654	385	4.95	16862	3.30	11241	9.37	8.91	0.131	0.579	32.9	10.8	89
	Low	0	701	412	5.25	17892	3.49	11889	9.60	9.02	0.140	0.614	37.0	12.1	85
		30	651	383	4.92	16774	3.28	11183	9.37	8.91	0.131	0.576	32.6	10.7	79
		60	538	316	4.27	14537	2.81	9564	8.79	8.39	0.113	0.499	24.6	8.1	71
FP-136	High	0	1373	808	8.51	28986	6.00	20452	11.62	10.71	0.226	0.995	30.5	10.0	170
		30	1290	759	7.50	25543	5.44	18540	11.36	10.55	0.205	0.904	29.6	9.7	156
		60	1106	651	7.34	25014	5.12	17451	10.77	10.12	0.195	0.859	22.7	7.4	144
	Medium	0	1090	641	7.24	24661	5.05	17186	10.77	10.12	0.192	0.846	22.0	7.2	151
		30	1012	595	7.04	23984	4.83	16450	10.30	9.71	0.187	0.823	20.8	6.8	140
		60	879	517	6.42	21865	4.35	14802	9.69	9.24	0.170	0.750	17.3	5.7	132
	Low	0	936	551	6.64	22630	4.53	15420	10.08	9.53	0.176	0.777	18.6	6.1	133
		30	868	511	6.35	21629	4.30	14655	9.67	9.22	0.169	0.742	16.9	5.6	125
		60	730	429	5.62	19128	3.74	12742	9.12	8.73	0.149	0.656	13.2	4.3	118

Concealed Ceiling Fan Coil Unit Technical Sales Guide

Air Condition: EDB/EWB 24/18°C (75.2/64.4°F) Water Conditions: EWT/LWT 5.5/14.5°C (41.9/58.1°F) delta T 9°C (48.2°F)

Note:

District Cooling || 4Rows || 2Pipe

EDB/EWB: Entering Air Dry-bulb Temperature / Entering Air Wet-bulb Temperature.

EWT/LWT: Entering Water Temperature / Leaving Water Temperature.

Model	Speed	ESP Pa	Air. Flow m ³ /h CFM		Cooling Capacity				Air Off FCU		Water Flow l/s G.P.M		Water Pressure kPa ft.wg		Power Input watts
					Total		Sensible		DB	WB					
					kW	Btu/h	kW	Btu/h	°C	°C					
FP-170	High	0	1748	1028	11.16	38021	7.78	26485	11.37	10.48	0.297	1.305	57.7	18.9	190
		30	1610	947	9.15	31164	6.67	22718	10.98	10.75	0.245	1.076	44.2	14.5	174
		60	1390	818	9.71	33077	6.63	22571	10.30	9.68	0.258	1.135	43.6	14.3	158
	Medium	0	1389	817	9.69	33018	6.62	22542	10.30	9.68	0.258	1.134	43.6	14.3	160
		30	1265	744	9.10	30988	6.15	20953	9.98	9.40	0.242	1.064	38.3	12.6	150
		60	1107	651	8.36	28486	5.57	18981	9.41	8.93	0.222	0.977	32.4	10.6	138
	Low	0	1195	703	9.03	30752	5.99	20393	9.51	8.95	0.240	1.055	37.6	12.3	142
		30	1085	638	8.36	28486	5.53	18834	9.20	8.72	0.222	0.977	32.4	10.6	132
		60	925	544	7.48	25485	4.89	16656	8.58	8.20	0.199	0.875	25.9	8.5	121
FP-204	High	0	2094	1232	10.90	37109	8.05	27427	11.84	10.93	0.335	1.476	67.9	22.3	240
		30	1940	1141	10.07	34313	7.39	25161	11.09	10.86	0.278	1.222	58.5	19.2	212
		60	1683	990	9.37	31900	6.48	22071	10.80	10.18	0.241	1.062	52.5	17.2	197
	Medium	0	1677	986	11.05	37638	7.75	26397	10.80	10.18	0.294	1.292	52.1	17.1	201
		30	1518	893	10.35	35255	7.19	24484	10.41	9.87	0.275	1.210	45.8	15.0	180
		60	1339	788	9.59	32665	6.57	22365	9.86	9.42	0.255	1.121	39.3	12.9	169
	Low	0	1435	844	10.07	34313	6.93	23601	10.10	9.61	0.268	1.178	43.4	14.2	168
		30	1302	766	9.41	32047	6.42	21865	9.77	9.33	0.250	1.101	37.8	12.4	155
		60	1135	668	8.61	29340	5.78	19687	9.21	8.85	0.229	1.007	31.6	10.4	147
FP-238	High	0	2618	1540	11.78	40140	7.27	24764	11.76	10.85	0.300	1.318	44.8	14.7	418
		30	2380	1400	10.71	36491	6.61	22512	11.32	10.52	0.272	1.198	40.8	13.4	380
		60	2142	1260	9.64	32841	5.95	20261	10.73	10.10	0.245	1.078	34.6	11.4	342
	Medium	0	2102	1236	9.38	31959	5.74	19540	10.69	10.09	0.240	1.057	33.3	10.9	368
		30	1892	1113	8.44	28763	5.16	17586	10.35	9.82	0.233	1.025	26.6	8.7	334
		60	1703	1002	7.60	25886	4.65	15827	9.80	9.37	0.221	0.971	22.5	7.4	301
	Low	0	1793	1055	8.15	27750	4.87	16597	10.03	9.56	0.211	0.927	23.3	7.6	314
		30	1614	949	7.33	24975	4.39	14938	9.70	9.28	0.199	0.874	22.3	7.3	285
		60	1452	854	6.60	22478	3.95	13444	9.14	8.79	0.184	0.809	17.9	5.9	257
FP-272	High	0	2992	1760	12.83	43700	7.51	25573	11.70	10.78	0.336	1.480	55.5	18.2	523
		30	2720	1600	11.66	39728	6.83	23248	11.26	10.45	0.306	1.345	50.4	16.5	475
		60	2448	1440	10.50	35755	6.14	20923	10.66	10.02	0.275	1.211	42.9	14.1	428
	Medium	0	2401	1412	10.26	34931	6.06	20629	10.63	10.01	0.270	1.186	41.2	13.5	460
		30	2161	1271	9.23	31438	5.45	18566	10.29	9.74	0.261	1.150	32.9	10.8	418
		60	1945	1144	8.31	28294	4.91	16709	9.72	9.29	0.248	1.090	27.9	9.1	376
	Low	0	2045	1203	9.05	30840	5.03	17127	9.97	9.47	0.237	1.041	29.4	9.6	392
		30	1841	1083	8.15	27756	4.53	15414	9.63	9.20	0.223	0.981	23.5	7.7	356
		60	1656	974	7.33	24981	4.07	13873	9.06	8.70	0.206	0.908	18.1	5.9	321
FP-306	High	0	3366	1980	15.21	51793	9.05	30817	11.57	10.66	0.392	1.725	76.8	25.2	589
		30	3060	1800	13.82	47085	8.23	28015	11.12	10.33	0.356	1.568	69.8	22.9	535
		60	2754	1620	12.44	42376	7.40	25214	10.52	9.90	0.321	1.412	62.8	20.6	482
	Medium	0	2712	1595	12.08	41140	7.27	24778	10.48	9.89	0.314	1.383	61.2	20.1	518
		30	2441	1436	10.87	37026	6.55	22300	10.14	9.62	0.305	1.341	56.1	18.4	471
		60	2197	1292	9.78	33323	5.89	20070	9.58	9.15	0.289	1.270	53.8	17.6	424
	Low	0	2285	1344	9.99	34019	6.07	20688	9.82	9.34	0.276	1.214	55.2	18.1	441
		30	2057	1210	8.99	30617	5.47	18619	9.47	9.06	0.260	1.143	51.4	16.8	401
		60	1851	1089	8.09	27555	4.92	16757	8.90	8.56	0.241	1.059	45.9	15.0	361
FP-340	High	0	3740	2200	16.16	55030	10.28	35025	11.71	10.73	0.420	1.848	84.4	27.7	704
		30	3400	2000	14.69	50027	9.35	31841	11.27	10.38	0.382	1.680	76.7	25.1	640
		60	3060	1800	13.22	45025	8.41	28657	10.67	9.96	0.344	1.512	69.0	22.6	576
	Medium	0	2982	1754	12.93	44024	8.32	28321	10.64	9.95	0.337	1.482	67.2	22.0	620
		30	2684	1579	11.63	39622	7.48	25489	10.30	9.68	0.326	1.436	60.6	19.9	563
		60	2415	1421	10.47	35659	6.74	22940	9.74	9.22	0.309	1.361	55.6	18.2	507
	Low	0	2532	1489	10.86	36991	7.10	24190	9.98	9.40	0.296	1.300	57.7	18.9	528
		30	2279	1340	9.77	33292	6.39	21771	9.59	9.12	0.278	1.225	53.9	17.7	480
		60	2051	1206	8.80	29963	5.75	19594	9.01	8.62	0.258	1.134	47.7	15.6	432

Air Condition: EDB/EWB 20°C (68°F) Water Conditions: EWT/LWT 70/60°C (158/140°F) delta T 10°C (50°F)

Note: District Cooling || 3+1Rows || 4Pipe

EDB/EWB: Entering Air Dry-bulb Temperature / Entering Air Wet-bulb Temperature.

EWT/LWT: Entering Water Temperature / Leaving Water Temperature.

Model	Speed	ESP	Air. Flow		Heating Capacity		LDBT	Water Flow		Water Pressure	
		Pa	m ³ /h	CFM	kW	Btu/h	°C	l/s	G.P.M	kPa	ft.wg
FP-34	High	0	353	208	2.10	7151	37.61	0.180	0.793	20.7	6.8
		30	316	186	1.97	6735	38.54	0.170	0.747	18.3	6.0
		60	242	142	1.58	5408	39.47	0.136	0.600	11.8	3.9
	Medium	0	279	164	1.77	6056	38.88	0.153	0.672	14.8	4.9
		30	246	145	1.62	5512	39.47	0.139	0.611	12.3	4.0
		60	181	106	1.25	4251	40.44	0.107	0.472	7.3	2.4
	Low	0	186	110	1.28	4372	40.44	0.110	0.485	7.7	2.5
		30	167	98	1.17	4010	40.85	0.101	0.445	6.5	2.1
		60	121	71	0.89	3033	41.89	0.076	0.336	3.7	1.2
FP-51	High	0	530	312	3.29	11236	38.45	0.283	1.246	32.2	10.6
		30	474	279	3.04	10364	39.02	0.261	1.150	27.4	9.0
		60	391	230	2.63	8962	39.97	0.226	0.994	20.5	6.7
	Medium	0	428	252	2.79	9530	39.37	0.240	1.057	23.2	7.6
		30	391	230	2.63	8962	39.97	0.226	0.994	20.5	6.7
		60	307	180	2.17	7391	40.97	0.186	0.820	13.9	4.6
	Low	0	349	205	2.40	8206	40.47	0.207	0.910	17.2	5.6
		30	326	191	2.28	7775	40.79	0.196	0.862	15.4	5.1
		60	251	148	1.85	6303	41.83	0.159	0.699	10.1	3.3
FP-68	High	0	698	410	4.08	13938	37.39	0.351	1.546	51.4	16.8
		30	632	372	3.86	13163	38.12	0.332	1.460	45.8	15.0
		60	535	315	3.42	11687	39.02	0.294	1.296	36.1	11.8
	Medium	0	549	323	3.49	11925	38.91	0.300	1.323	37.6	12.3
		30	506	298	3.27	11162	39.20	0.281	1.238	32.9	10.8
		60	422	248	2.87	9781	40.16	0.246	1.085	25.3	8.3
	Low	0	465	273	3.12	10648	39.94	0.268	1.181	30.0	9.8
		30	434	255	2.94	10045	40.14	0.253	1.114	26.7	8.7
		60	352	207	2.50	8532	41.09	0.215	0.946	19.2	6.3
FP-85	High	0	855	503	4.81	16433	36.72	0.414	1.823	61.7	20.2
		30	791	465	4.54	15501	37.07	0.391	1.719	54.9	18.0
		60	679	399	4.06	13840	37.75	0.349	1.535	43.8	14.4
	Medium	0	679	399	4.05	13837	37.75	0.349	1.535	43.8	14.4
		30	632	372	3.82	13020	37.92	0.328	1.444	38.7	12.7
		60	539	317	3.42	11657	38.82	0.294	1.293	31.1	10.2
	Low	0	581	342	3.65	12447	38.64	0.314	1.381	35.4	11.6
		30	543	319	3.44	11728	38.82	0.295	1.301	31.4	10.3
		60	442	260	2.94	10023	39.76	0.253	1.112	23.0	7.5
FP-102	High	0	1028	605	5.96	20347	37.23	0.513	2.257	76.7	25.1
		30	949	558	5.82	19868	38.23	0.501	2.204	73.1	24.0
		60	823	484	5.30	18094	39.14	0.456	2.007	60.6	19.9
	Medium	0	815	479	5.25	17923	39.14	0.452	1.988	59.5	19.5
		30	759	446	5.03	17166	39.69	0.432	1.904	54.6	17.9
		60	654	385	4.55	15545	40.67	0.392	1.724	44.7	14.7
	Low	0	701	412	4.83	16487	40.47	0.415	1.829	50.3	16.5
		30	651	383	4.53	15462	40.67	0.390	1.715	44.3	14.5
		60	538	316	3.93	13409	41.70	0.338	1.487	33.3	10.9
FP-136	High	0	1373	808	7.84	26740	36.94	0.674	2.966	41.4	13.6
		30	1265	744	7.36	25127	37.29	0.633	2.787	36.5	12.0
		60	1106	651	6.76	23078	38.15	0.581	2.560	30.8	10.1
	Medium	0	1090	641	6.66	22746	38.15	0.573	2.523	29.9	9.8
		30	1012	595	6.48	22112	39.02	0.557	2.453	28.3	9.3
		60	879	517	5.91	20159	39.97	0.508	2.236	23.5	7.7
	Low	0	936	551	6.11	20865	39.40	0.526	2.314	25.2	8.3
		30	868	511	5.85	19955	40.01	0.503	2.213	23.0	7.6
		60	730	430	5.17	17631	41.01	0.444	1.956	18.0	5.9

Concealed Ceiling Fan Coil Unit Technical Sales Guide

Air Condition: EDB/EWB 20°C (68°F)

Water Conditions: EWT/LWT 70/60°C (158/140°F)

delta T 10°C (50°F)

Note:

District Cooling || 3+1Rows || 4Pipe

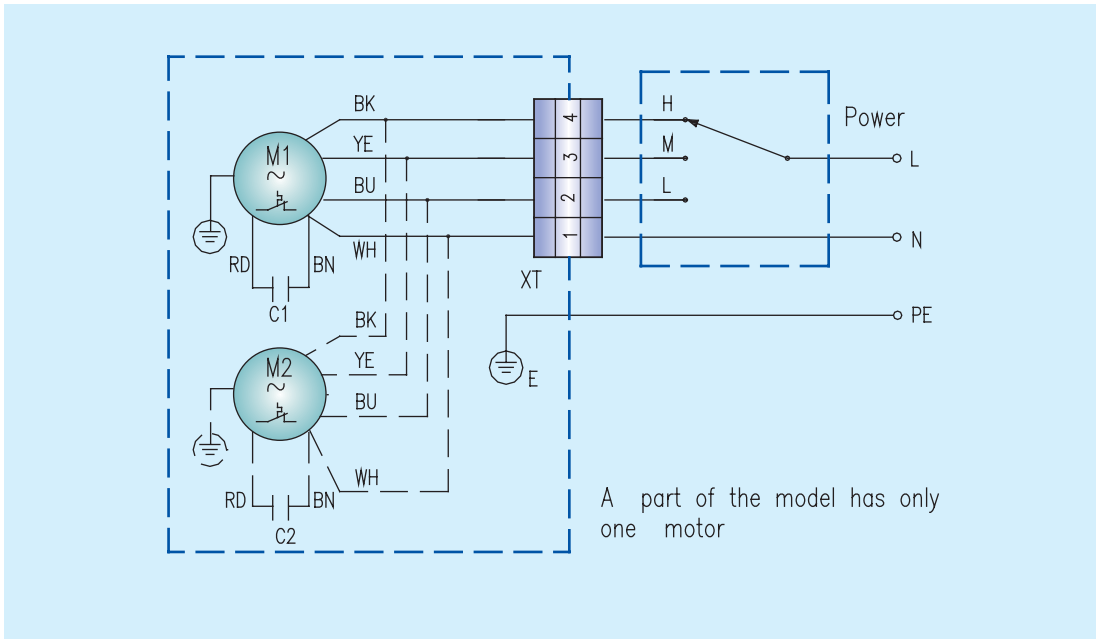
EDB/EWB: Entering Air Dry-bulb Temperature / Entering Air Wet-bulb Temperature.

EWT/LWT: Entering Water Temperature / Leaving Water Temperature.

Model	Speed	ESP	Air. Flow		Heating Capacity		LDBT	Water Flow		Water Pressure	
		Pa	m ³ /h	CFM	kW	Btu/h	°C	l/s	G.P.M	kPa	ft.wg
FP-170	High	0	1748	1029	10.28	35069	37.46	0.884	3.890	78.3	25.7
		30	1581	930	9.68	33031	38.18	0.832	3.664	69.5	22.8
		60	1390	818	8.94	30500	39.09	0.768	3.383	59.3	19.4
	Medium	0	1389	817	8.93	30461	39.09	0.767	3.379	59.1	19.4
		30	1265	744	8.37	28578	39.67	0.720	3.170	52.0	17.1
		60	1107	651	7.69	26256	40.65	0.661	2.912	43.9	14.4
	Low	0	1195	703	8.31	28347	40.64	0.714	3.144	51.2	16.8
		30	1085	638	7.69	26256	41.06	0.661	2.912	43.9	14.4
		60	925	544	6.89	23512	42.11	0.592	2.608	35.2	11.6
FP-204	High	0	2094	1232	11.61	39635	36.47	0.999	4.396	92.4	30.3
		30	1897	1116	10.96	37398	37.16	0.942	4.148	82.2	27.0
		60	1683	990	10.21	34841	38.01	0.878	3.865	71.4	23.4
	Medium	0	1677	987	10.17	34719	38.01	0.875	3.851	70.9	23.2
		30	1518	893	9.53	32514	38.64	0.819	3.607	62.2	20.4
		60	1339	788	8.83	30123	39.58	0.759	3.341	53.3	17.5
	Low	0	1435	844	9.28	31654	39.20	0.797	3.511	58.9	19.3
		30	1302	766	8.66	29565	39.76	0.745	3.279	51.4	16.9
		60	1135	667	7.93	27056	40.75	0.682	3.001	43.0	14.1
FP-238	High	0	2432	1431	13.62	46495	36.64	1.171	5.157	127.1	41.7
		30	2213	1302	12.91	44072	37.33	1.110	4.889	114.2	37.5
		60	1971	1160	12.08	41214	38.20	1.038	4.572	99.9	32.8
	Medium	0	1940	1141	11.89	40566	38.20	1.022	4.500	96.7	31.7
		30	1771	1042	11.17	38131	38.74	0.961	4.230	85.5	28.0
		60	1581	930	10.47	35742	39.68	0.900	3.965	75.1	24.6
	Low	0	1662	978	10.80	36860	39.30	0.929	4.089	79.9	26.2
		30	1519	894	10.16	34673	39.87	0.874	3.846	70.7	23.2
		60	1330	782	9.34	31867	40.86	0.803	3.535	59.7	19.6
FP-272	High	0	2784	1638	15.74	53723	36.79	1.353	5.959	75.4	24.7
		30	2530	1488	14.90	50838	37.49	1.281	5.639	67.5	22.2
		60	2260	1330	13.98	47698	38.37	1.202	5.291	59.4	19.5
	Medium	0	2224	1308	13.75	46929	38.37	1.182	5.205	57.5	18.9
		30	2024	1190	12.89	43985	38.92	1.108	4.879	50.6	16.6
		60	1809	1064	12.10	41290	39.86	1.040	4.580	44.5	14.6
	Low	0	1903	1120	12.49	42614	39.48	1.074	4.727	47.4	15.6
		30	1736	1021	11.72	39996	40.05	1.008	4.437	41.8	13.7
		60	1530	900	10.84	37009	41.05	0.932	4.105	35.8	11.7
FP-306	High	0	3135	1844	17.98	61350	37.03	1.546	6.805	98.3	32.3
		30	2846	1674	17.00	58004	37.74	1.461	6.434	87.9	28.8
		60	2548	1499	15.98	54541	38.63	1.374	6.050	77.7	25.5
	Medium	0	2506	1474	15.72	53641	38.63	1.351	5.950	75.2	24.7
		30	2277	1339	14.70	50185	39.19	1.264	5.567	65.8	21.6
		60	2037	1198	13.81	47146	40.14	1.188	5.230	58.1	19.0
	Low	0	2144	1261	14.27	48685	39.76	1.227	5.400	61.9	20.3
		30	1953	1149	13.37	45634	40.34	1.150	5.062	54.4	17.8
		60	1729	1017	12.43	42430	41.35	1.069	4.706	47.0	15.4
FP-340	High	0	3486	2050	19.88	67859	36.94	1.710	7.527	120.3	39.5
		30	3162	1860	18.79	64124	37.65	1.616	7.113	107.4	35.2
		60	2836	1668	17.70	60395	38.53	1.522	6.699	95.3	31.3
	Medium	0	2785	1638	17.38	59298	38.53	1.494	6.577	91.9	30.1
		30	2530	1488	16.26	55480	39.09	1.398	6.154	80.4	26.4
		60	2264	1332	15.28	52147	40.04	1.314	5.784	71.1	23.3
	Low	0	2385	1403	15.78	53870	39.66	1.357	5.975	75.8	24.9
		30	2170	1276	14.78	50449	40.23	1.271	5.596	66.5	21.8
		60	1930	1135	13.80	47106	41.25	1.187	5.225	58.0	19.0

11 ELECTRICAL & CONTROLS


➔ 11.1 Wiring Diagram



➔ 11.2 Operation & Controls

Key-part	Specification for Wiring & Function
Three Speed Switch	The unit motor is a single-phase permanent split capacitor with the three speeds tapings HIGH/MEDIUM/LOW wired to the Terminal Block with color-coded wires. Terminal 1 — RED -HIGH SPEED Terminal 2 — BLUE -MEDIUM SPEED Terminal 1 — BLACK -LOW SPEED
Motor	The fan coil unit is equipped with three speed the model of FP31~FP102 have one motor and the model of FP136~FP204 have two motors.

➔ 11.3 Wired Controller

Modle	Name Apperance
<p>High, mid and low joints of switch Z54352A1</p>	
<p>FCU Wired remote controller WK-010PA-K</p>	
<p>Digital fan coil thermostat WK-110PA0</p>	

12 MEASURED SOUND PRESSURE LEVEL

12.1 Testing Way for Noises

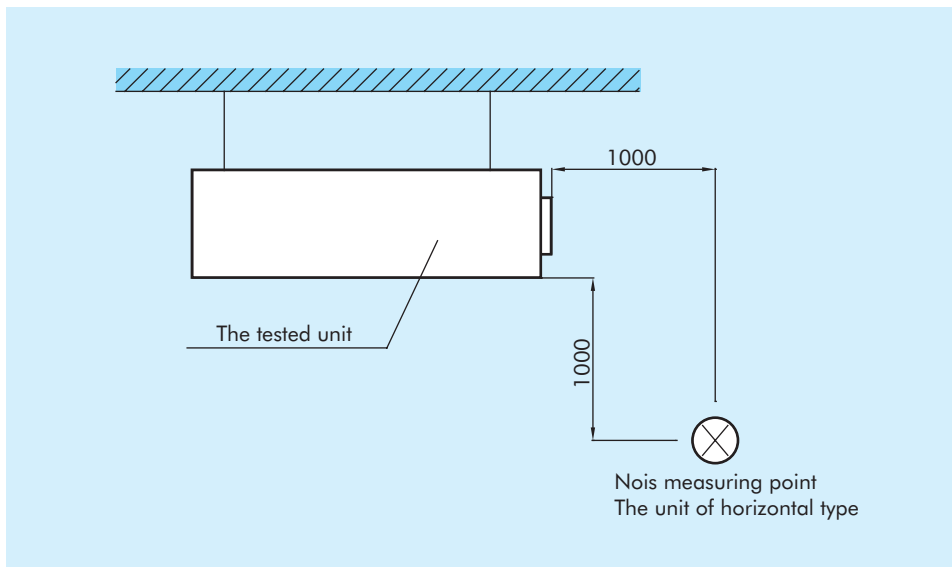
The published Sound Pressure data' is based on actual measurement being carried out as per stated standard.

The standard requires the following requirement for the noise measuring room:

- 1). The noise should be measured in a room that simulates a half-free field with the floor being reflecting.
- 2). The acoustics of the room should be in accordance with the requirements in table 1.

Types of measuring room	Center Frequency of 1/3 octave band/Hz	Max. tolerance/dB
Free field room	< 630	±1.5
	800~ 5000	±1.0
	< 6300	±1.5
Half-free field room	< 630	±2.5
	800~ 5000	±2.0
	< 6300	±3.0

The unit was tested at 220V 50Hz at the designates High, Medium and low speed setting with free discharge of air.



12.2 Result of Noises Test

(1) Overall Sound Pressure Level

Model	FP-34	FP-51	FP-68	FP-85	FP-102	FP-136	FP-170	FP-204	FP-238	FP-272	FP-306	FP-340	
High	0Pa	39.5	42.4	41.8	45.8	45.6	46.8	48.9	51.3	53.5	56.3	58.2	60.3
Mid	0Pa	36.3	39.1	38.6	41.9	42.1	41	46.3	49.3	50.4	52.9	55.4	57.8
Low	0Pa	33.5	35.9	35.5	39.7	39.8	35	43.4	43.7	47.8	49.7	51.6	54.1

(2) Octave Band Sound Pressure Level

Model	Speed	ESP (Pa)	Octave band sound pressure level (dB(A))							Overall Lp(dB(A))
			125Hz	250Hz	500Hz	1KHz	2KHz	4 Hz	8KHz	
FP-34	High	0	12.2	24.8	28.1	28.1	28.3	17.8	9.6	39.5
	Medium	0	12.8	24.0	28.3	27.4	28.3	18.4	10.7	36.3
	Low	0	12.1	23.3	28.1	26.5	26.6	17.9	11.3	33.5
FP-51	High	0	16.1	30.7	31.7	32.5	33.6	22.1	16.8	42.4
	Medium	0	15.2	29.0	30.3	32.3	32.1	22.4	16.5	39.1
	Low	0	15.2	28.9	30.0	29.9	31.4	21.0	16.8	35.9
FP-68	High	0	13.5	29.0	31.1	31.6	33.3	21.0	18.8	41.8
	Medium	0	14.9	28.8	29.3	30.2	32.0	21.8	19.2	38.6
	Low	0	15.0	27.9	28.0	28.7	30.6	21.5	18.2	35.5
FP-85	High	0	17.4	31.9	33.2	33.2	34.4	23.2	17.0	45.8
	Medium	0	18.0	31.2	32.5	32.8	33.7	21.6	17.1	41.9
	Low	0	18.7	31.3	32.0	32.4	33.8	22.6	16.5	39.7
FP-102	High	0	19.3	30.7	34.2	34.7	34.2	23.1	15.2	45.6
	Medium	0	19.9	30.7	32.7	32.7	33.6	23.4	14.4	42.1
	Low	0	19.0	31.0	33.2	32.0	32.2	23.3	14.9	39.8
FP-136	High	0	19.6	34.1	36.1	35.6	35.4	25.3	18.1	46.8
	Medium	0	19.6	32.1	31.9	31.4	31.6	22.8	17.3	41
	Low	0	16.9	28.3	27.4	27.2	28.7	19.9	16.1	35
FP-170	High	0	20.7	35.8	39.1	38.6	36.8	26.2	20.2	48.9
	Medium	0	20.8	33.9	38.0	38.8	36.0	24.8	21.5	46.3
	Low	0	21.6	32.9	36.1	36.9	33.8	23.3	21.3	43.4
FP-204	High	0	23.2	36.1	40.0	39.4	40.9	30.4	21.7	51.3
	Medium	0	22.7	35.2	40.3	39.9	41.7	30.0	21.2	49.3
	Low	0	22.1	32.6	37.4	36.3	38.7	27.1	19.8	43.7
FP-238	High	0	27.2	39.9	42.5	42.4	41.2	31.6	24.1	53.5
	Medium	0	26.4	39.5	40.5	42.2	40.2	31.4	24.1	50.4
	Low	0	27.0	38.1	39.3	41.5	39.9	30.0	23.4	47.8
FP-272	High	0	29.1	43.6	46.3	44.9	44.1	34.1	25.6	56.3
	Medium	0	28.3	41.5	43.9	43.2	42.3	32.8	24.2	52.9
	Low	0	28.5	41.2	42.7	40.9	41.9	32.7	22.9	49.7
FP-306	High	0	31.9	45.3	47.9	48.5	46.3	37.6	29.7	58.2
	Medium	0	31.5	43.5	47.8	48.4	46.0	36.1	30.5	55.4
	Low	0	31.0	42.8	45.2	46.0	44.1	34.3	30.0	51.6
FP-340	High	0	32.7	47.3	49.9	48.3	49.2	38.0	29.4	60.3
	Medium	0	32.4	46.3	48.8	48.4	48.3	37.6	29.3	57.8
	Low	0	31.9	43.9	46.3	45.8	45.2	36.5	29.2	54.1

GREE

making better air conditioners



Gree Electric Appliances, Inc. of Zhuhai ("Gree") is the largest specialized air conditioner enterprise in the world.

Gree has now become a renowned multinational enterprise that possessing 4 production bases located in Zhuhai, Chongqing, Brazil and Hefei, and five subsidiary companies, totally 37,800 employees. Annual production capacity of us is over 25 million sets of home air conditioners and annual output value of 716 million USD from commercial air conditioners.

We are always paying much attention on technical innovation. Till now, we had registered nearly 1500 patents at home or abroad. The high-end technologies we have successfully developed include the GMV multi VRF system, centrifugal chiller and, in particular, central air conditioners using ultra-low temperature heat pump, which is the first of its kind in the world and an internationally-advanced technology that has filled in a gap of China and broken the technical monopoly of the refrigeration magnates in the United States and Japan, winning widespread reputation and influence in the world refrigeration industry.

With the installation of Gree commercial air conditioners in important projects at home and abroad like Media Village for 2008 Beijing Olympic Game, Stadiums for 2010 World Cup in South Africa, as well as Indian Telecom base station, Gree commercial air conditioners are ready to develop steadily to every corner in the world, to present a more comfortable and harmony working environment and family atmosphere.



GREE ELECTRIC APPLIANCES ,INC.OF ZHUHAI

Add: West Jinji Rd., Qianshan, Zhuhai, Guangdong, China 519070

Tel:(+86-756)8614883 Fax:(+86-756)8614998

Http://www.gree.com.cn Email:gree@gree.com.cn

SN00300243